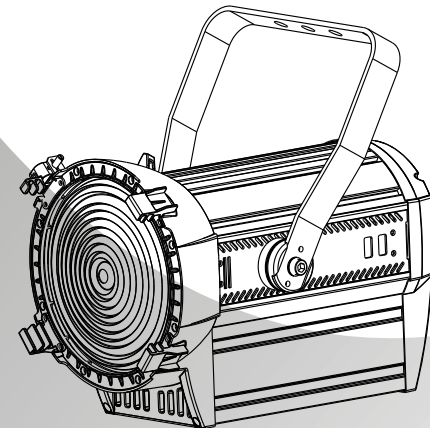


FREZNO ze-D2

USER MANUAL



SS808

MODELS:SS808SWD/SS808SCD

 **SILVER STAR**
Professional Lighting

www.yajiang.cn

RD-SS808-SM-01(SS-1)

1 PRODUCT SPECIFICATIONS

1.1 PRODUCT SPECIFICATIONS

TRIAC lighting fixture:

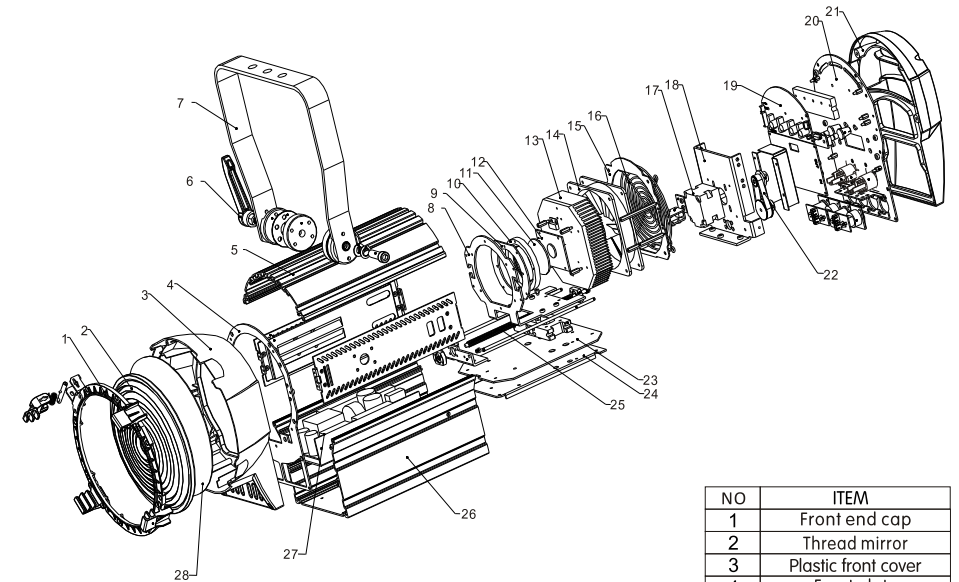
Compatible working voltage: AC110V/60Hz, 0~100% dimming

Compatible working voltage: AC220V/50Hz, 0~100% dimming

- ◆ Voltage: AC100~120V, 60Hz
AC180~230V, 50Hz
- ◆ Max Power: 190W
- ◆ Size: 417x286x260mm
- ◆ Weight: 6.6kg

5 APPENDIX

5.1 PARTS DIAGRAM



NO	ITEM
1	Front end cap
2	Thread mirror
3	Plastic front cover
4	Front plate
5	Up pull aluminum
6	M10 hand shank
7	Hanging bracket
8	Heat-sink bracket
9	Lens head plate
10	Lens frame
11	Φ52 Collecting mirror
12	LED board
13	Heat dissipation pull aluminum
14	Fan
15	Fan frame
16	Fan grill
17	Stepping motor
18	Motor frame
19	Driver board
20	Back plate
21	Plastic back cover
22	Belt
23	Focus bracket
24	Focus bracket strengthen board
25	Screw thread drive shaft
26	Down pull aluminum
27	Power Supply
28	5 degree grinding slice

4 USING A DMX512 CONTROLLER

4.1 CHANNEL ASSIGNMENT

- Note: This product have two DMX512 channel configuration:
【 UNO 】 / 【 DOS 】 / 【 STD.P 】

UNO

CHANNEL	VALUE	FUNCTION
1	0 ↔ 255	DIMMER

DOS

CHANNEL	VALUE	FUNCTION
1	0 ↔ 255	DIMMER
2	0 ↔ 255	FINE DIMMER

STD.P

CHANNEL	VALUE	FUNCTION
1	0 ↔ 255	DIMMER
2	0 ↔ 255	FINE DIMMER
3	0 ↔ 9	No strobe
	10 ↔ 99	Strobe (slow to fast)
	100 ↔ 109	No strobe
	110 ↔ 179	Lightning strobe (slow to fast)
	180 ↔ 189	No strobe
	190 ↔ 255	Random strobe (slow to fast)
4	0 ↔ 255	Focus
5	0 ↔ 200	NO FUNCTION
	201 ↔ 220	Motor reset
	221 ↔ 255	NO FUNCTION

1.2 SAFETY WARNING

IMPORTANT:

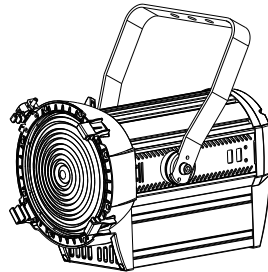
- This product must be installed by a qualified professional.
- All maintenance must be carried out by a qualified electrician.
- A minimum distance of 0.5m must be maintained between the equipment and a combustible surface.
- The product must always be operated in a well ventilated area.
- DO NOT stare directly into the LED light source.
- Always disconnect the power before carrying out any maintenance.
- The earth must always be connected to the ground.
- Ensure that all parts of the equipment are kept clean and free of dust.
- A minimum distance of 0.8m must be maintained between the light and projecting surface

2 INSTALLATION

2.1 MOUNTING

HANGING

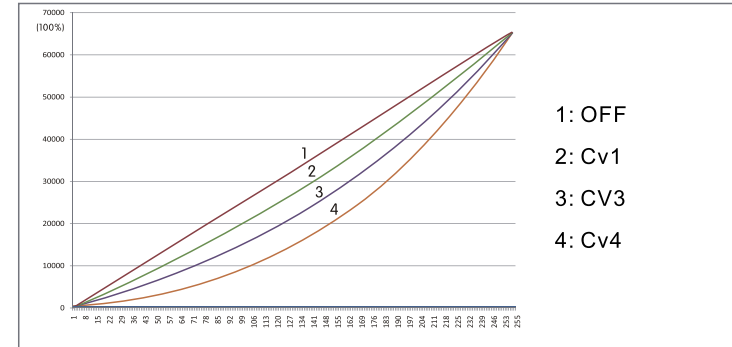
The LED fixture can be mounted in a hanging position using the supporting bracket. The bracket should be secured to the mounting truss or structure using a standard mounting clamp. Please note that when hanging the unit a safety cable should also be used.



2.2 POWER CONNECTIONS

- 220~240V: 6 units may be connected in series
- 110~120V: 3 units may be connected in series

CURV dimming



3.9 WHITES CALIBRATION(CAL)



- Enter the [CAL] to select white color of different color temperature.
- Select the [ZOOM] range. [POS1] & [POS2] set the small position for the zoom function. Note that when using DMX to control the fixture, the user will only be able to access up to the set ZOOM position. It is not possible to adjust beyond the set position.

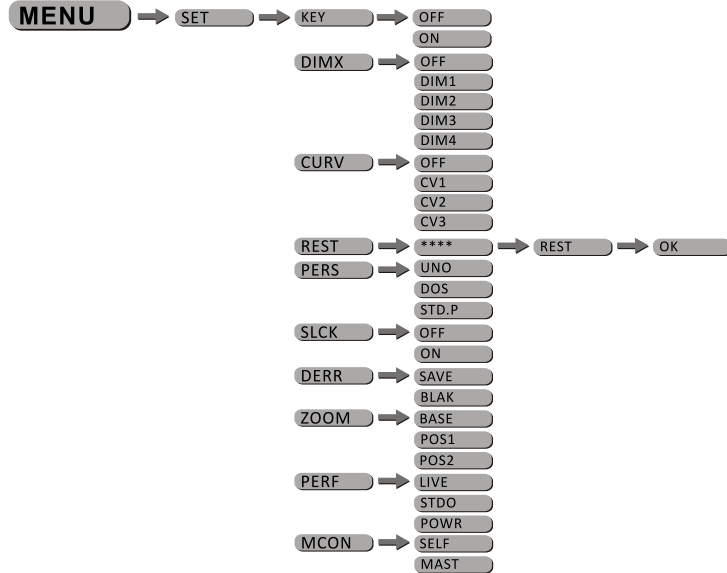
3.10 CONTROL KNOB

- . DIMMER
- . ZOOM

Notes:

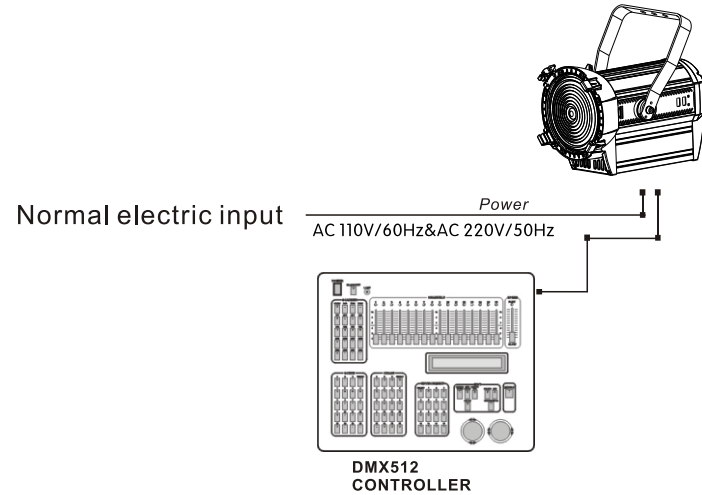
- Press the adjusting button (any one) twice, the fixture will be in STAT mode;
- Press the DIMMER button, DIM shows in the menu, the value range is 0—100%;
- Press ZOOM button, value range 0—100% appears

3.8 SPECIAL SETTINGS

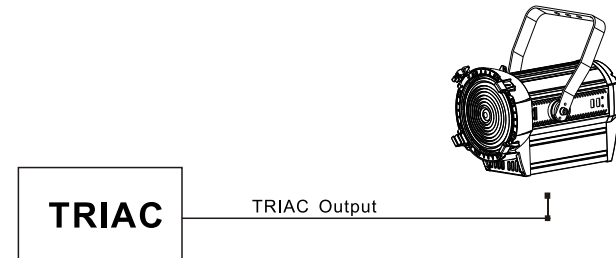


- [SET]...this menu allows the user to adjust key operation settings for this fixture.
[KEY]...select [ON] for automatic lock-out. Password to re-enter the display is <UP> + <DOWN> + <UP> + <DOWN>.
- Select [DIM1], [DIM2], [DIM3] or [DIM4] for different dimming speeds. ([DIM4] is the slowest dimming speed)
- [CURV] allows the user to adjust the shape of the dimming curve. See the CURV chart to Understand more about actual dimming curves.
- In order to reset custom modes to default values select [REST] .
- [PERS]...this setting allows the user to select the DMX personality of the fixture. Refer to DMX personality charts for specific details.
- [SLCK] is used to lock the settings menu. When [SLCK] is set to [ON] then user must insert passcode (UP+DOWN+UP+DOWN) in order to access the settings menu.
- [DERR] Choose[Save] in order to save the last DMX data incase of DMX signal error.
Choose[Black] in order to blackout in case of DMX signal error.
- <ZOOM> is for setting zoom, press UP/DOWN to select. <BASE> is standard setting; <POS1> is zoom setting 1; <POS2> is zoom setting 2. Press MENU to get back, and the Setting is saved automatically.
- [PERF]this setting allows the user to select the performance characteristics of the fixture.
- [MCON]...this function allows the user to select whether the fixture will send DMX data to other fixtures during stand-alone operation. The [MAST] setting allows data to be sent to Other fixtures. The [SELF] setting is default and will not send DMX data to other fixtures.

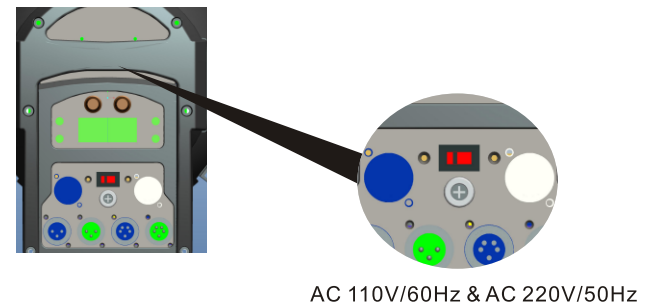
2.3 control method between DMX512 & lighting fixture



2.4 control method between TRIAC & lighting fixture



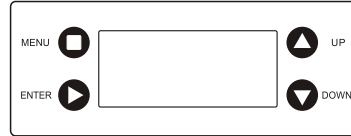
2.5 voltage switch bottom



3 DISPLAY PANEL OPERATION

3.1 DISPLAY OPERATION

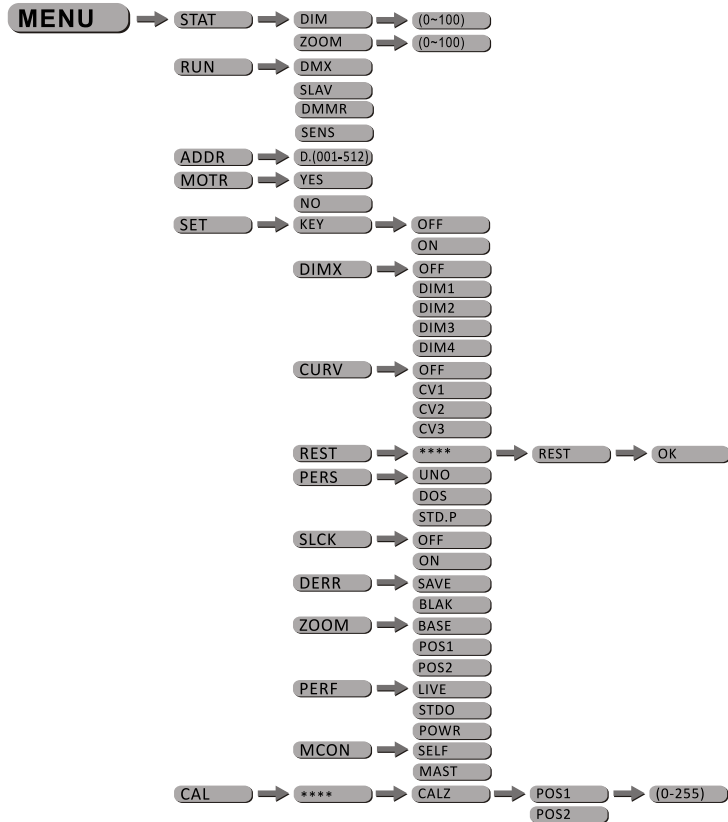
- 【 MENU 】 return to the previous menu.
- 【 ENTER 】 enter the currently selected menu.
- 【 UP 】 scroll down through the current menu list or decrease the value of the current function.
- 【 DOWN 】 scroll up through the current menu list or Increase the value of the current function.



3.2 QUICK-ACCESS KEYS

【MENU】 By press and holding the 【MENU】 key when at the main menu it is possible to directly access the 【DIM】 function

3.2 MENU MAP



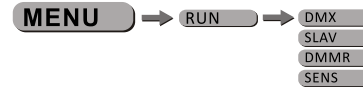
3.4 DIMMER (STAT)



- 【DIM】...to adjust level of intensity
- 【ZOOM】...to adjust the zoom position

Note: When using this function, if the 【MCON】 menu is set as 【MAST】, then the fixture will transfer the 【DIM】 values to other fixtures. ii) When DMX data is received at the fixture, it will automatically return to main menu after 2 minutes of no key operation.

3.5 RUN MODE



DMX 512 lighting fixture:

- Choose DMX and SLAVE in traditional DMX lighting fixture, and see DMX manu, but it can be only working well under normal electricity Choose DMX, means control by DMX 512 controller, can only receive signal from standard DMX512 Choose SLAV, means under SLAV condition, can only receive signal from main fixture.

TRIAC lighting fixture:

- Choose DMMR under TRIAC condition, can not see DMX manu, DIM4 is defaulted. Triac dimming only

Auto switch between DMX512 & TRIAC lighting fixture:

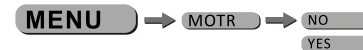
- Choose SENS under auto switch condition, can not see DMX manu, when input voltage of power supply is 80% over than stander voltage(when 110VAC input over 90VAC, 220VAC input over 180VAC), at the same time, fixture receive DMX signal, fixture auto switch to be DMX control; when input voltage for power supply is 80% less than standard voltage, fixture auto switch to be TRIAC condition; when cut off DMX signal, auto switch to be TRIAL condition.

3.6 DMX ADDRESS



- 【ADDR】...this menu allows the user to select the start address of the fixture. Use <UP> or <DOWN> keys to select required start address.

3.7 Motor reset(MOTR)



- Press ENTER to enter < MOTR >
- Press UP/DOWN and select <YES> or <NO>
- When you select < YES > and press ENTER, the motor will be reset to origin
- When you select <NO>, and press ENTER, no control.