

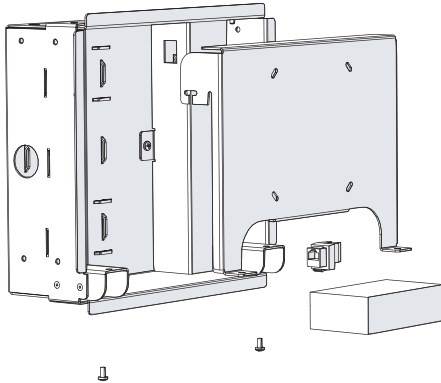


ETC® Installation Guide

Paradigm 18" Touchscreen Wall Mount Kit

Overview

The Paradigm 18" Touchscreen Wall Mount kit (P-TS18-WM) provides the ability to wall mount the Paradigm 18" Touchscreen.



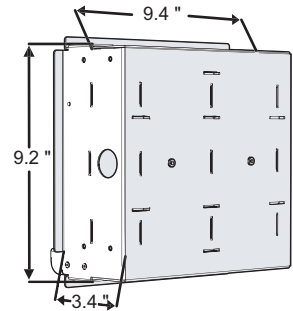
The P-TS18-WM wall mounting kit includes a recessed backbox, touchscreen mounting bracket, RJ45 punch down Ethernet connector, two foot Ethernet extension cable, and a terminal block for AC input termination.

Installation

Backbox Installation

Prepare the rough opening for backbox installation. ETC recommends installing the backbox at a height of approximately 36", providing best line of sight interface to the installed touchscreen.

The wall mount backbox is provided with conduit knockouts on the top, bottom and both sides for access to the power input (left side) and data (right side) terminations. Four screw holes are provided on the left and right sides of the box for securing it to studs. The backbox is provided with a flange which should be flush to the installation surface.



Corporate Headquarters ■ 3031 Pleasant View Road, P.O. Box 620979, Middleton, Wisconsin 53562-0979 USA ■ Tel +608 831 4116 ■ Fax +608 836 1736
London, UK ■ Unit 26-28, Victoria Industrial Estate, Victoria Road, London W3 6UU, UK ■ Tel +44 (0)20 8896 1000 ■ Fax +44 (0)20 8896 2000
Rome, IT ■ Via Pieve Torina, 48, 00156 Rome, Italy ■ Tel +39 (06) 32 111 683 ■ Fax +44 (0) 20 8752 8486
Holzkirchen, DE ■ Ohmstrasse 3, 83607 Holzkirchen, Germany ■ Tel +49 (80 24) 47 00-0 ■ Fax +49 (80 24) 47 00-3 00
Hong Kong ■ Rm 1801, 18/F, Tower 1 Phase 1, Enterprise Square, 9 Sheung Yuet Road, Kowloon Bay, Kowloon, Hong Kong ■ Tel +852 2799 1220 ■ Fax +852 2799 9325
Service: (Americas) service@etconnect.com ■ (UK) service@etceurope.com ■ (DE) techserv-hoki@etconnect.com ■ (Asia) service@etcasia.com
Web: www.etconnect.com ■ Copyright © 2013 ETC. All Rights Reserved. ■ Product information and specifications subject to change.
© 7184M2210 ■ Rev A ■ Released 2013-01 ■ ETC intends this document to be provided in its entirety.

ETC Installation Guide

Paradigm 18" Touchscreen Wall Mount Kit

Install Power and Data

The wall mounting back box includes two removable compartments; one left side which includes a terminal strip for power input and one right side for installation of the provided RJ45 connector for data termination.

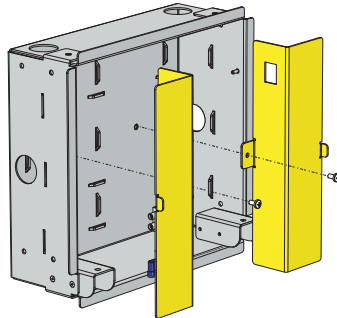
Purpose	Description
Power input - AC Input 100-240V, 1.5A, 50-60Hz	3 wire - line (brown), neutral (blue) and earth (green/yellow)
Ethernet (network)	CAT5e (follow IEEE802.3 and terminate to T568B standard)

Step 1: Run conduit to the left side of the backbox for power (AC input terminal block is provided), and to the right side of the backbox for data (Ethernet CAT5e).



Note: *Power and data must be run in separate conduit.*

Step 2: Remove the left side and right side compartments from the backbox. Each side is secured with a screw.

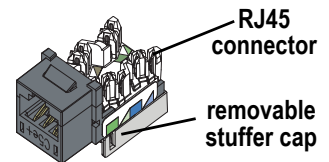


Step 3: Terminate the AC power circuit wiring to the terminal block provided on the left side compartment. The input terminal is labeled for convenience.

Step 4: Re-install the left side compartment to the backbox and secure it in place with the screw provided.

Step 5: Locate the RJ45 connector (provided in the wall mounting kit).

Step 6: Using a standard 110 punch down tool (not provided), terminate the incoming CAT5e data wires to the RJ45 connector. Reference the connector label for the CAT5e wire termination color code.

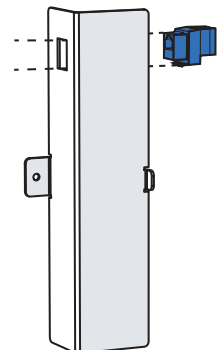


Note: *All Ethernet terminations must follow IEEE 802.3 and be terminated to the T568B standard. The RJ45 connector provides insulation displacement. Do not strip the wires.*

Step 7: Locate the stuffer cap (clear protective cap) on the underside of the RJ45 connector and snap it over the wire terminations.

Step 8: Insert the RJ45 connector to the right side compartment, pressing the connector portion only through the provided hole until it snaps into place.

Step 9: Reinstall the right side compartment to the backbox, securing it in place with the provided screws.

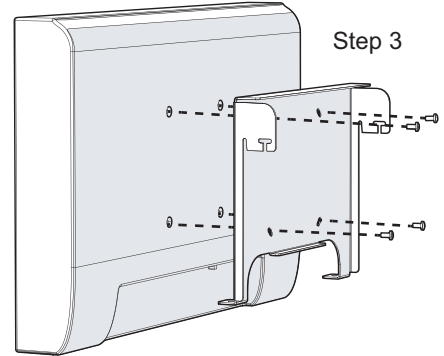


ETC Installation Guide

Paradigm 18" Touchscreen Wall Mount Kit

Attach the Bracket to the Touchscreen

- Step 1: Locate the Paradigm 18" Touchscreen (P-TS18), the accessory box from the touchscreen packaging, and the mounting bracket from the wall mounting kit.
- Step 2: Remove and discard the four screws that are installed from the factory to the rear panel of the 18" touchscreen.
- Step 3: Attach the touchscreen to the wall mounting bracket using the four screws provided in the P-TS18 accessory box.



Note: *The Paradigm 18" Touchscreen ships with a table top stand which is not required for wall mount installation. Recycle or discard the stand parts.*

Final Installation

Connect Power and Data

Power

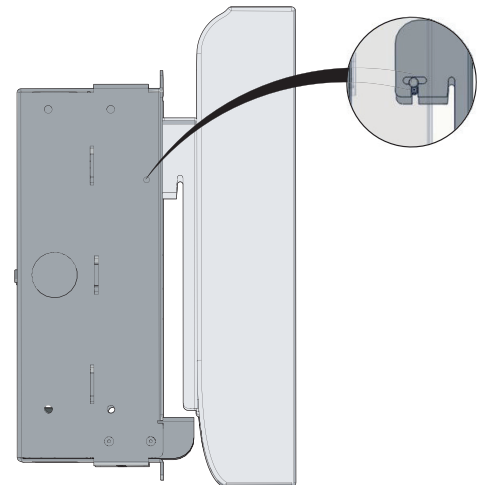
- Step 1: Locate the power supply in the touchscreen accessory box. The two power cables that are supplied with the power supply are not used for this installation.
- Step 2: Attach the power cable that is provided in the wall mount kit to the power supply then to the receptacle located on the left side compartment in the backbox.
- Step 3: Secure the power supply to the backbox with a cable tie or strap.

Data

- Step 4: Locate the two foot Ethernet extension cable, provided in the wall mount kit.
- Step 5: Attach the cable to the "C5e+" connector on the right side compartment in the backbox.

Service Position

- Step 6: The "T" shaped slot on each side of the mounting bracket is provided as a service position. Align the mounting bracket (with touchscreen) to the pins located in the backbox and rest it on the "T" slots provided.
- With the touchscreen in the service position, access the touchscreen inputs and outputs are easily accessible by simply pivoting the touchscreen.



Connect 12V DC IN

- Step 7: Pivot the touchscreen and insert the power supply round plug into the "12V DC IN" receptacle located on the touchscreen I/O.

ETC Installation Guide

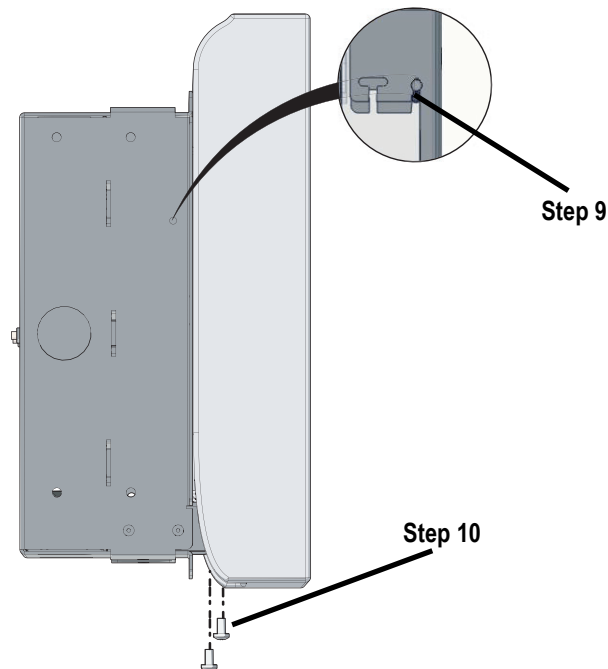
Paradigm 18" Touchscreen Wall Mount Kit

Connect LAN1

Step 8: Connect the loose end of the Ethernet extension cable from Step 5 above to the "LAN1" receptacle located on the touchscreen I/O.

Operation Position

Step 9: The wall mounting bracket includes a single slot on each side, provided as the final operation position. Slide the touchscreen up, removing it from the service position, adjust the depth to rest on the single slot, then slide it back down to the operation position. The touchscreen will be flush with the surface when it is mounted in the operation position.



Step 10: Secure the touchscreen in place using two screws (provided in the wall mounting kit) through the bottom of the backbox to the mounting bracket (see graphic above).

Power Up

Step 1: Apply power to the circuit.

Step 2: Reference the *Paradigm 18" Touchscreen Setup and Connect Guide* for further instruction to use the touchscreen and Virtual Touchscreen (VTS) application.