

ETC Setup Guide

Unison Paradigm[®] P-TS7 Portables

Overview

The Paradigm P-TS7 portables offer a flexible method of controlling your Paradigm lighting system. Two versions are available, each with a different mode of connectivity: Ethernet (P-TS7-PE) and LON (P-TS7-P). The display interface for these models can be designed to your specific system using ControlDesigner™.

Connect P-TS7-PE with Ethernet

Step 1: Swing the cover completely around the unit to create a tabletop stand.



Note: *The Ethernet version of P-TS7 has a detachable cable with an RJ-45 connector at one end and an Ethercon connector on the other.*

Step 2: Connect the Ethercon end of the cable to the matching port on the rear of the touchscreen.

Step 3: Connect the RJ-45 end of the cable to a Power-over-Ethernet network port for your Paradigm control system.



Note: *Startup will take a minimum of 20 seconds. Larger configurations will require more time.*
For information on uploading and downloading configurations, see [Configuration and Theme Files](#) on page 2 below.

Step 4: Manually set the unit's IP address:

- a: Select the "Network" tab. A keypad will appear.
- b: Enter the 4-digit system passcode and press [Enter]. If you do not know the passcode, contact ETC Technical Services to obtain it. The Network screen will be displayed.
- c: Select the "IP Address" field and enter an appropriate address for your system network parameters.

Step 5: If the bind process is complete (see [page 2](#)) and the unit possesses the configuration and theme files, the device will boot and be ready to use.

Step 6: Use the controls on the display to access the lighting system.

Connect P-TS7-P with LON

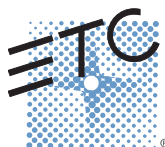
Step 1: Swing the cover completely around the unit to create a tabletop stand.

Step 2: Connect the touchscreen cable to a Unison receptacle station (UH1RS). If the bind process is complete and the unit possesses the config and theme files, the device will boot and be ready to use.



Note: *Startup will take a minimum of 20 seconds. Larger configurations will require more time.*
For information on uploading and downloading configurations, see [Configuration and Theme Files](#) on page 2 below.

Step 3: Use the controls on the display to access the lighting system.



Corporate Headquarters ■ Middleton, WI, USA ■ Tel +608 831 4116 ■ Service: (Americas) service@etconnect.com
London, UK ■ Tel +44 (0)20 8896 1000 ■ Service: (UK) service@etceurope.com
Rome, IT ■ Tel +39 (06) 32 111 683 ■ Service: (UK) service@etceurope.com
Holzkirchen, DE ■ Tel +49 (80 24) 47 00-0 ■ Service: (DE) techserv-hoki@etconnect.com
Hong Kong ■ Tel +852 2799 1220 ■ Service: (Asia) service@etcasia.com
Web: www.etconnect.com ■ © 2015 ETC. All Rights Reserved. ■ Product information and specifications subject to change.
7184M2250 ■ Rev A ■ Released 2015-03 ■ ETC intends this document to be provided in its entirety.

Bind the P-TS7-P/PE

Before binding your P-TS7 Portable, please confirm you have met the following requirements:

- The touchscreen has been added to the configured space in LightDesigner.
- The Light designer configuration has been uploaded to the Paradigm ACP(s). Reference the LightDesigner online help system for details on uploading a configuration.

Additional binding requirements for LonConnect Model only

- The UH1RS receptacle station has been added to the configured space in LightDesigner.
- The P-TS7-P must be enabled for use with the specific receptacle station. This is set in the "Portable" property of the LightDesigner Property Editor for the Touchscreen. You can enable a P-TS7-P on more than one receptacle station in a configuration. The displayed configuration and theme may be different for each configured touchscreen and receptacle station depending on the assignments in the configured space.
- The receptacle station's physical ID (listed on a label found on the front of the station, beneath the faceplate) must be associated with the configured receptacle station in LightDesigner. This ID should be manually entered into the "Connector ROM" property in the LightDesigner Property Editor for that station. This is the recommended method to avoid manual binding at the Paradigm processor.
- The LightDesigner configuration has been uploaded to the Paradigm ACP(s). Reference the LightDesigner online help system for details on uploading a configuration.

To bind your P-TS7-P or PE:

- Step 1: Physically connect the Portable Touchscreen to the receptacle station (UH1RS) or Ethernet port (depending on model).

Note: *Startup will take a minimum of 20 seconds. Larger configurations will require more time.*

If the receptacle station's physical ID is associated in the Paradigm configuration, the P-TS7-P will automatically bind on startup. If you receive a "No Response from Server" message, proceed to Step 2.

- Step 2: At the Paradigm processor face panel, press enter ✓ to access the menu.
- Step 3: Navigate to the Arch Setup>LonWorks Connections menu and bind the Touchscreen station using the "Connect Device" option. Reference the Paradigm ACP Configuration manual for complete details on connecting a device.

Configuration and Theme Files

Exporting Files from LightDesigner

This procedure is recommended to speed loading of files onto LON touchscreens. Ethernet touchscreens can retrieve the files quickly over Ethernet.

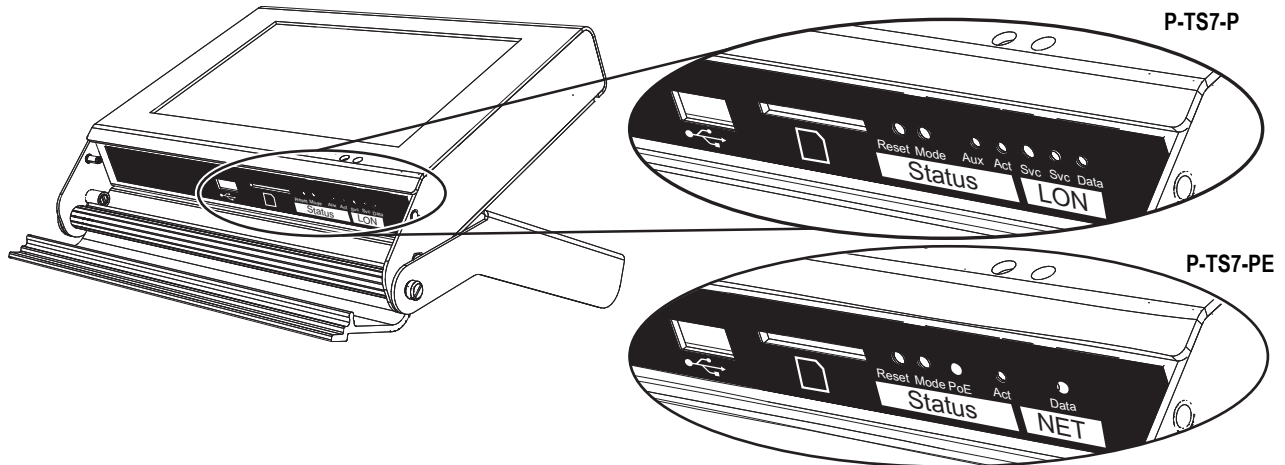
- Step 1: From the LightDesigner configuration, select (File) "Export Portable LCD Files". The "Export Portable LCD Files" dialog will be displayed.
- Step 2: Select which Portable LCD files will be exported from the selection and click [OK]. The "Browse For Folder" dialog displays for selection of a location the files will be exported to, such as a removable USB device. Two file types will be exported, the configuration file saves with a ".lcdconf" extension and the theme saves with a ".lcdtheme" extension.

Note: *It is best to store the configuration and theme files to removable media for loading to the Touchscreen.*

Loading Files

Note: *If the P-TS7-P is already bound to the Paradigm processor, it will automatically begin retrieving its LCD configuration file when powered. However, ETC recommends using removable media to load configurations and themes to reduce commissioning time. Press [Cancel] to stop the transfer if you wish to manually load the configuration files instead.*

Step 1: Open the I/O access door to reveal the access points for removable media (USB and SD) and Status and LON/Net LEDs.



Step 2: Insert removable media into the appropriate port.
Step 3: Press the "Mode" pin to initiate the "Setup" menu.
Step 4: Press the [Setup] button located on the top left corner of the display.
Step 5: Press the [Files] button. A keypad will be displayed.
Step 6: Enter the 4-digit system passcode and press [Enter] to access the Files menu. If you do not know the passcode, contact ETC Technical Services to obtain it.

Note: *Standard ETC-provided themes used in your configuration do not need to be manually uploaded to the LCD. These themes are loaded for you at the factory and will display beneath the "Themes" directory.*

Step 7: Press the [Config] button to load the configuration file(s) onto the P-TS7-P or press [Theme] to load the theme file(s).
Step 8: Press [Load From] and choose the removable media source containing the files, then press [OK].
Step 9: Select the specific file (or select multiple files) from the list that you would like to load onto the Touchscreen

I/O Indicators

The following recessed buttons and LEDs are found inside the access door.

Reset button	When pressed, resets the P-TS7-P software
Mode button	Press once for Setup menu. Press and hold for 4 seconds to calibrate P-TS7-P
Data LED	Indicates LON or Ethernet data activity

LON model only

Aux LED	Indicates the P-TS7-P is powered (Aux 24 Vdc)
Aux LED	Application activity is detected
Svc button	When pressed, sends the station's Neuron ID to the connected processor
Svc LED	Service button indicator