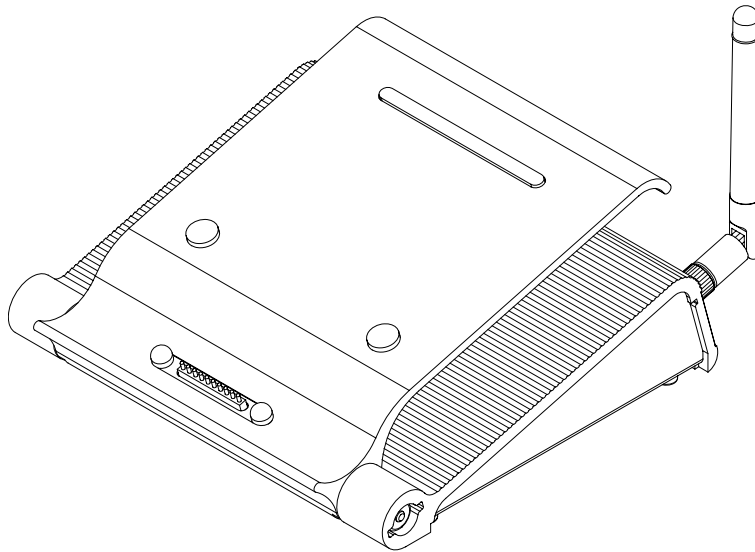


ETC® Unison Paradigm® Handheld Touchscreen Docking Station



Unison Control Series



GENERAL INFORMATION

The Paradigm Handheld Touchscreen Docking Station connects to the Paradigm control system using NetConnect. This base station for the Handheld Touchscreen provides a secure docking point and can be tilted to a range of angles for operation and viewing, including low-profile uses. The unique Docking Station design lets you put your Touchscreen controls wherever they are needed – on a conference table, at a podium or on any work surface. When your Handheld Touchscreen is undocked, the Handheld Docking Station provides powerful MeshConnect wireless connectivity to the Handheld Touchscreen. The Dock can also be used for charging the Touchscreen battery.

APPLICATIONS

- Houses of worship
- Hotels
- Convention centers
- Meeting rooms

FEATURES

- Provides a wired and wireless interface for Paradigm Handheld Touchscreens to the lighting control network
- Provides a convenient charging location for Handheld Touchscreens
- Articulating docking cradle allows users to adjust the angle of the screen to avoid glare
- Powered by a standard a PoE network or included low-voltage DC power supply
- NetConnect: Ethernet connectivity to the lighting control system using low-cost, easy-to-install Cat5
- MeshConnect: Provides wireless connectivity from Paradigm Handheld Touchscreen Stations

ORDERING INFORMATION

Handheld Touchscreen Docking Station

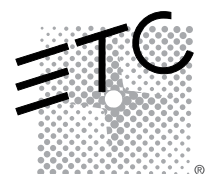
MODEL	DESCRIPTION
P-LCD-DOCK	Handheld Touchscreen Docking Station

Accessories

MODEL	DESCRIPTION
Net-6	6-foot Ethernet Cable
Net-15	15-foot Ethernet Cable
Net-25	25-foot Ethernet Cable
PS12-5	Replacement Power Supply

Related Products

MODEL	DESCRIPTION
P-LCD-H	Handheld Touchscreen Station
P-LCD-WAS	Handheld Touchscreen Wireless Access Station



ETC® Unison Paradigm® Handheld Touchscreen Docking Station

Unison Control Series

SPECIFICATIONS

MECHANICAL

- Black anodized extruded aluminum base
- Clear anodized extruded aluminum docking cradle
- Articulating docking cradle supports tilting from 10 degrees to 80 degrees
- Magnetic retention of docked touchscreen station
- Secure cable attachment using a standard Kensington locking cable
- Ten-pin docking connector for high-speed data connection between docked handheld station and control system
- Low-profile wireless antenna
- Six-foot Cat5, RJ-45 cable included

ELECTRICAL

- Supports 12Vdc power supply (included) or PoE power input
- Connects to lighting control system using NetConnect
 - Standard Ethernet networking with Power over Ethernet
 - Compliant with IEEE 802.3i for 10BASE-T networks
 - Compliant with IEEE 802.3u for 100BASE-TX networks
 - Compliant with IEEE 802.3af for Power over Ethernet
- MeshConnect communication with Handheld Touchscreen uses IEEE 802.15 low-power ZigBee communication
- Provides charging capabilities for Handheld Touchscreen
 - Full charge in six hours using Power over Ethernet
 - Full charge in four hours using 12Vdc power supply
- Provides status indicators for Power, Ethernet Connectivity, and wireless Transmit and Receive
- Meets or exceeds EN60950-1, N55103-1, EN55103-2 and IEC1000-4-2
- UL and cUL Listed, CE Marked

THERMAL

- Ambient room temperature: 0-40°C / 32-104°F
- Ambient humidity: 10-95% non-condensing

PHYSICAL

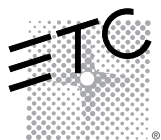
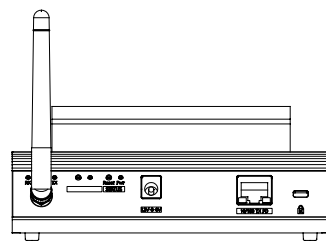
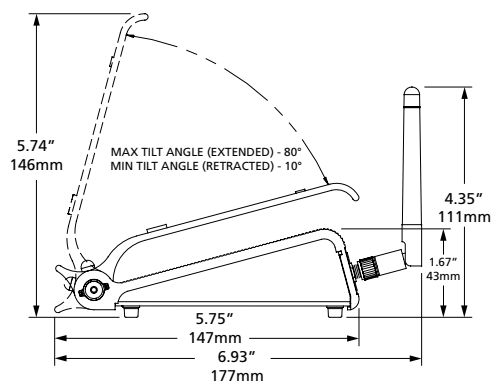
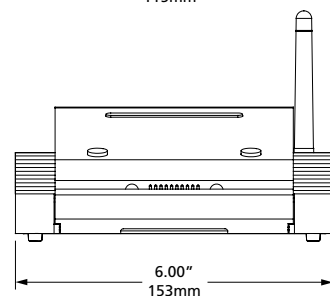
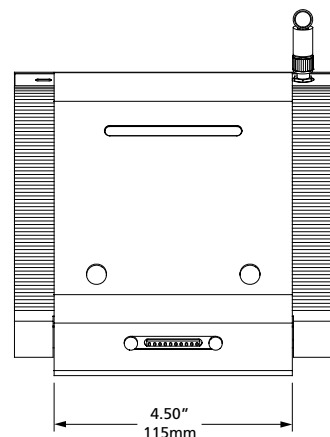
Dimensions

MODEL	HEIGHT		WIDTH		DEPTH	
	inches	mm	inches	mm	inches	mm
P-LCD-DOCK	5.74	146	6.00	153	6.93	176

Weights

MODEL	WEIGHT		SHIPPING WEIGHT	
	lbs	kgs	lbs	kgs
P-LCD-DOCK	2.70	1.22	3.85	1.75

PHYSICAL



Corporate Headquarters • 3031 Pleasant View Rd, PO Box 620979, Middleton WI 53562 0979 USA • Tel +1 608 831 4116 • Fax +1 608 836 1736
London, UK • Unit 26-28, Victoria Industrial Estate, Victoria Road, London W3 6UU, UK • Tel +44 (0)20 8896 1000 • Fax +44 (0)20 8896 2000
Rome, IT • Via Ennio Quirino Visconti, 11, 00193 Rome, Italy • Tel +39 (06) 32 111 683 • Fax +44 (0) 20 8752 8486

Holzkirchen, DE • Ohmstrasse 3, 83607 Holzkirchen, Germany • Tel +49 (80 24) 47 00-0 • Fax +49 (80 24) 47 00-3 00

Hong Kong • Room 1801, 18/F, Tower 1 Phase 1, Enterprise Square, 9 Sheung Yuet Road, Kowloon Bay, Kowloon, Hong Kong • Tel +852 2799 1220 • Fax +852 2799 9325

Web • www.etcconnect.com • Copyright©2013 ETC. All Rights Reserved. All product information and specifications subject to change. 7184L1008 Rev.C Printed in USA 12/13

Unison® products protected by one or more of the following: U.S. Patent No. 5,323,088, 6,849,943, and 5,352,958; European Patent No. 0603333; German Patent No. 69203609.