

PoE 802.3af



GENERAL INFORMATION

The Unison Echo Expansion Bridge lets you build larger systems and add more devices while allowing you to control and configure everything from a single location. With the Expansion Bridge, Echo control systems can contain up to four Echo segments -- each with their own power supply and Echo devices. Segments support up to 16 stations or sensors and up to 16 output devices each, increasing the control system capacity to 64 stations and sensors as well as 64 output products. Each bridge may contain a maximum of 16 spaces with up to 16 zones per space. Connecting a wireless access point to the Expansion Bridge allows the EchoAccess™ mobile app to connect to the Echo control system. Multiple Echo Expansion Bridges can also be networked to a Unison Paradigm® control system allowing Paradigm to control individual Echo control systems.

APPLICATIONS

- Sports venues
- Hospitality
- Healthcare facilities
- Conference and meeting rooms
- Lobby spaces
- Retail
- Education

FEATURES

- Combines up to four Echo segments to create larger Echo control systems
- Integrate Echo control systems in to Unison Paradigm Systems allowing for Paradigm control and status indication.
- Allows for connection to EchoAccess Mobile App via a wireless access point
- EchoConnect™: two-wire topology-free system gives you the freedom to easily place stations wherever they are needed

GENERAL

- UL and cUL LISTED
- CE Marked

ORDERING INFORMATION

Product

MODEL	DESCRIPTION
EEB	Echo Expansion Bridge

Mounting Accessories

MODEL	DESCRIPTION
ECHO-DIN	Echo Low-Voltage DIN-Rail Cover Kit

Echo Power Requirements

EchoConnect:	Not required*
Auxiliary Power:	100mA*

*Not required if using PoE



SPECIFICATIONS**FUNCTIONAL**

- Combines up to four Echo Control Segments to create a single larger Echo control system with the following maximums:
 - 4 Power Supplies (as needed based on system size)
 - 64 Control Products (Stations, Sensors and Interfaces)
 - 64 Output Products (Zone Controllers, Panel Power Products, DMX Scene Controller, EEI)
 - 16 Zones per space
 - 16 Spaces per bridge
- Connects to a wireless access point to allow the EchoAccess Mobile App to connect to the Echo system via Wi-Fi
- Allows Paradigm systems to control and display status of the following:
 - Echo Presets
 - Echo Zones
 - Echo Space Combine
 - Echo Space Lockout
- Paradigm supports a maximum of 16 Expansion Bridges per Paradigm Control Processor and a maximum of 128 Bridges per Paradigm Project

MECHANICAL

- Intuitive four-button interface and onboard display for identification, status and configuration
- Din-rail mounting complies with DIN43880 (35/7.5 rail)
- Constructed of injection-molded, black ABS plastic

ELECTRICAL

- Connects four, two-wire EchoConnect control networks through low-voltage Class 2 wiring
 - Topology-free wiring over Belden 8471 or equivalent and one #14 ESD drain wire
 - Two #16 AWG wires for 24VDC auxiliary power when required
 - Supports optional use of Belden 1583A or equivalent Ethernet control wire when used with Cat5 termination accessories
 - Wiring may be bus, loop, homerun or any combination of these
 - Supports up to 500 meters (1,640 feet) of control wiring
 - Up to 300 meters (1000 ft) using Cat5
- Compliant with IEEE 802.3i for 10BASE-T, 802.3u for 100BASE-TX and 802.3af for Power over Ethernet
- MicroSD card slot for firmware maintenance
- UL and cUL LISTED, CE Marked

THERMAL

- Ambient room temperature: 0-50°C / 32-122°F
- Ambient humidity: 5-95% non-condensing

ECHO FAMILY OF PRODUCTS

EchoConnect Power Supplies

MODEL	DESCRIPTION
E-SPS	6U Room Station Power Supply, Knockout Mount
E-SPS-DIN	16U DIN rail Station Power Supply with 24V Aux
E-SPM	16U DRd Station Power Module
E-SPM-A	16U DRd Station Power Module with 24V Aux
E-SPM-RM	16U Rack-Mount Station Power Module Aux
E-SPM-RM-A	16U Rack-Mount Station Power Module 24V Aux
E-SPM-WM	16U Wall-Mount Station Power Module
E-SPM-WM-A	16U Wall-Mount Station Power Module 24V Aux
E-APS	24V Aux Power Supply, Knockout Mount

Echo Stations

MODEL	DESCRIPTION
E1001	Inspire One Button Station
E1002	Inspire Two Button Station
E1004	Inspire Four Button Station
E1006	Inspire Six Button Station
E1008	Inspire Eight Button Station
E1104	Inspire Four Button with Fader Station
EPS05	Echo Preset Station - 5 Button
EPS10	Echo Preset Station - 10 Button
EPSLO	Echo Lockout Station
E-ATC	Echo TimeClock

Echo Responsive Controls

MODEL	DESCRIPTION
ELS	Light Sensor
EOCC	Ceiling-Mount PIR Occupancy Sensor
EVAC	Ceiling-Mount PIR Vacancy Sensor
E-DOC-C	Ceiling-Mount Dual Tech Occupancy Sensor
E-DVAC-C	Ceiling-Mount Dual Tech Vacancy Sensor
E-DOC-W	Wall-Mount Dual Tech Occupancy Sensor
E-DVAC-W	Wall-Mount Dual Tech Vacancy Sensor
E-DOC-SM1	Switch-Mount Dual Tech Sensor - One Button
E-DOC-SM2	Switch-Mount Dual Tech Sensor - Two Button

Echo Interfaces

MODEL	DESCRIPTION
EACC	EchoAccess™ Interface
EEB	Echo Expansion Bridge
EDMXC	Echo DMX Scene Controller
EEL	Echo-Echoflex Interface
ECII	Echo Contact Input Interface
ECOI	Echo Contact Output Interface

Zone Controllers

MODEL	DESCRIPTION
ERC	One Zone Relay Controller
EDRC	Two Zone Relay Controller
ELD	One Zone 0-10V Dimming Controller
EDLD	Two Zone 0-10V Dimming Controller
ESSC	One Zone SmartSpace Controller
EDSSC	Two Zone SmartSpace Controller
ELVD	600-Watt Phase Adaptive Dimmer
ELVD-277	600-Watt Phase Adaptive Dimmer- 277V

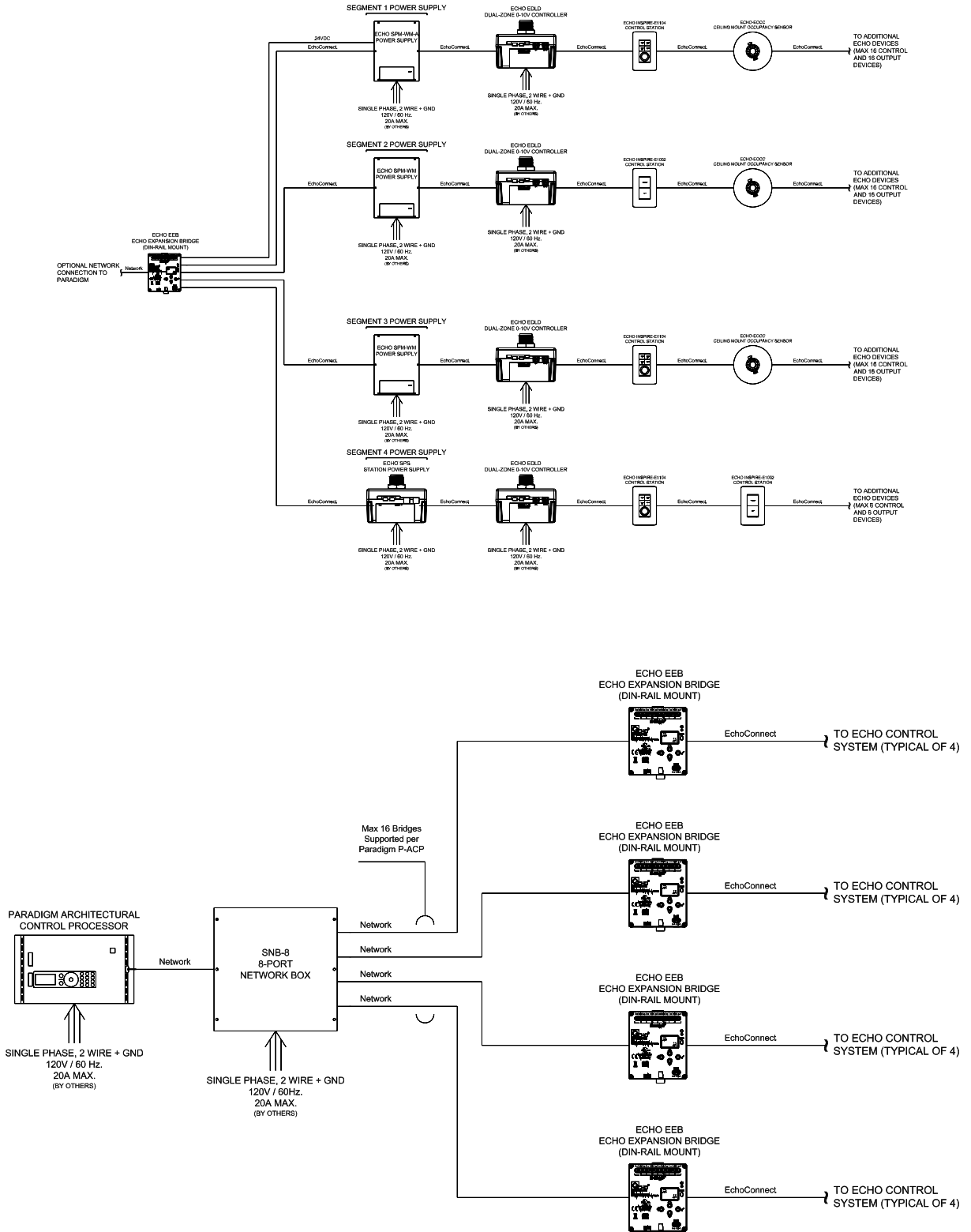
Room Controllers

MODEL	DESCRIPTION
ERMC4	Four Zone Room Controller
ERMCT4	Four Zone Room Controller with TimeClock
ERMC8	Eight Zone Room Controller
ERMCT8	Eight Zone Room Controller with TimeClock

Panel Products

MODEL	DESCRIPTION
ERP	Echo Relay Panel Mains Feed
ERP-FT	Echo Relay Panel Feed Through
SensorIQ	Sensor IQ Intelligent Breaker System
SR3	Sensor3 Power Control System
DRd	Unison DRd with Echo Control

ECHO EXPANSION BRIDGE RISER DIAGRAMS



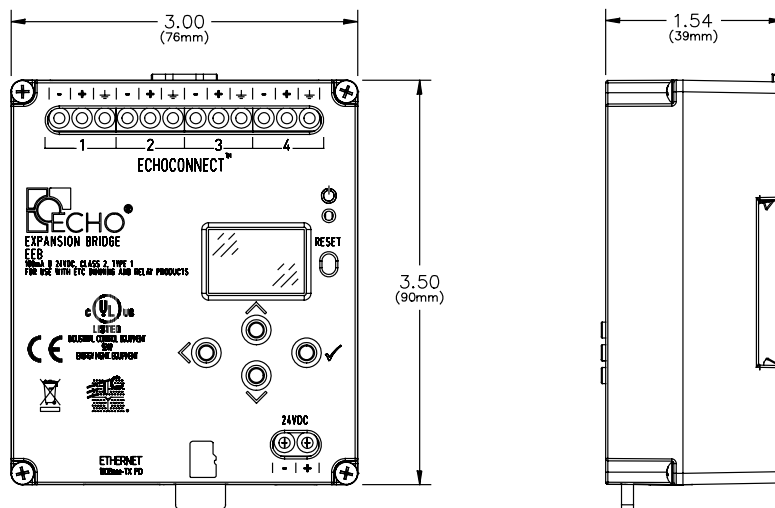
PHYSICAL

Product Dimensions

MODEL	HEIGHT		WIDTH		DEPTH	
	inches	mm	inches	mm	inches	mm
EEB	3.5	90	3.0	76	1.54	39

Product Dimensions

MODEL	WEIGHT		SHIPPING WEIGHT	
	lbs	kgs	lbs	kgs
EEB	0.35	0.16	0.90	0.40



Corporate Headquarters • 3031 Pleasant View Rd, PO Box 620979, Middleton WI 53562 0979 USA • +1 608 831 4116
London, UK • Unit 26-28, Victoria Industrial Estate, Victoria Road, London W3 6UU, UK • +44 (0) 20 8896 1000
Rome, IT • Via Pieve Torina, 48, 00156 Rome, Italy • +39 (06) 32 111 683
Holzkirchen, DE • Ohmstrasse 3, 83607 Holzkirchen, Germany • +49 (80 24) 47 00-0
Hong Kong • Room 1801, 18/F, Tower 1 Phase 1, Enterprise Square, 9 Sheung Yuet Road, Kowloon Bay, Kowloon, Hong Kong • +852 2799 1220
Web • etconnect.com • Copyright©2017 ETC. All Rights Reserved. All product information and specifications subject to change. 7186L1017 Rev C 05/17