



Echo Responsive Control Series



GENERAL INFORMATION

The control you need – right at your fingertips. These EchoConnect®-powered stations are designed to initiate preset, zone, and space controls for your entire system as well as provide occupancy and vacancy events. They communicate efficiently with dimmers, relays and power control panels to provide necessary control for any installation. Echo Dual Tech Switch Mount Sensors are a convenient and simple solution for any facility to eliminate wasted energy by automatically turning off lighting loads when a room is empty.

APPLICATIONS

- Houses of worship
- Education
- Hospitality
- Healthcare facilities
- Office buildings
- Conference rooms
- Meeting rooms
- Retail

FEATURES

- Support for occupancy or vacancy detection as required
- Passive infrared (PIR) and Acoustic sensing technology
- EchoConnect: two-wire topology-free system gives you the freedom to easily place stations wherever they are needed
- Walk-thru mode for coverage verification
- Fastener-Free Faceplate System: no visible means of attachment
- Decorator style face plates available in one-, two-, three- and four-gang options
- Rear-illuminated buttons that indicate system status using blue for active and amber or off for inactive
- Simple user-legend system supports use of a variety of standard nomenclature, or user-supplied inserts
- Available in Cream, Grey, Black or White

GENERAL

- UL and cUL LISTED
- CE marked
- CA Title 24c compliant

ORDERING INFORMATION

Echo Dual Tech Switch Stations

MODEL	DESCRIPTION
E-DOC-SM1-__	1-Button Switch Mount Dual Tech Sensor
E-DOC-SM2-__	2-Button Switch Mount Dual Tech Sensor

Enter sensor color code in __ space provided:

1 = Cream (RAL 9001), 3= Grey (RAL 7001), 4 = Black (RAL 9004),
5 = Signal White (RAL 9003),

Stations flush-mount (F) in industry-standard gang boxes. (By others)
Surface mount boxes available from manufacturer upon request.

Echo Power Requirements

EchoConnect:	One unit of control power
Auxiliary Power:	Not required



SPECIFICATIONS

FUNCTIONAL

- Zone or preset control from any station
- Blue button illumination for active status
- Amber or no button illumination for inactive status
- Supports configurable auto-on/auto-off functionality (occupancy sensing) functions
- Supports walk-thru mode for verifying coverage area
 - Sensor lens illuminates for walk-thru and test mode
 - Red illumination for PIR detection
 - Green illumination for Acoustic Detection
- Sensor coverage tested to NEMA WD 7-2000

MECHANICAL

- Standard configurations with 1 or 2 buttons
- Gangable with Inspire® Control Stations for custom applications
- Enclosed electronics assembly and faceplate included
- Cantilevered switch arrays with removable button caps
- No visible means of attachment
- Flush-mount in industry standard backbox, RACO 690 or equivalent
- Surface-mount backboxes available from ETC upon request
- Constructed of injection-molded, ABS plastic in four RAL standard colors Cream (RAL 9001), Grey (RAL 7001) Black (RAL 9004), and White (RAL 9003)
- User configurable legends on each button, or use standard legends that come with each station. Field configurable without the use of tools
- Color matched faceplate included

ELECTRICAL

- Connect via the EchoConnect control network via low-voltage Class 2 wiring
 - Topology-free wiring over Belden 8471 or equivalent and one #14 ESD drain wire
 - Supports optional use of Belden 1583A or equivalent Ethernet control wire when used with Cat5 termination accessories
 - Wiring may be bus, loop, homerun or any combination
 - Supports up to 500 meters (1640 feet) of control wiring
 - Up to 1000' using CAT5
- All station terminations utilize removable connectors
- UL and cUL LISTED, CE marked

THERMAL

- Ambient room temperature: 0-40°C / 32-104°F
- Ambient humidity: Maximum 90% non-condensing

FUNCTIONALITY

BASIC MODE FUNCTIONALITY

- Preset Mode:
 - Occupancy Event: Play selected default Preset
 - Vacancy Event: Space off
 - Button 1 Push: Toggle Preset 1 (Default)
 - Button 1 Hold: Space Raise
 - Button 1 Double Tap: Quick Toggle Preset 1 (Default)
 - Button 2 Push: Toggle Preset 2 (Default) or Off
 - Button 2 Hold: Space Raise
 - Button 2 Double Tap: Quick Toggle Preset 2 (Default)
- Zone Mode
 - Occupancy Event: Zone 1 at 100% (Default)
 - Vacancy Event: Zone 1 at 0% (Default)
 - Button 1 Push: Zone 1 at 100% (Default)
 - Button 1 Hold: Raise Zone 1
 - Button 1 Double Tap: Quick Zone 1 at 100% (Default)
 - Button 2 Push: Zone 1 at 0% (Default)
 - Button 2 Hold: Lower Zone 1
 - Button 2 Double Tap: Quick Zone 1 at 0% (Default)

CUSTOM MODE FUNCTIONALITY

(Requires Programming With EchoAccess® Mobile App and additional connection hardware)

- Occupancy Event
 - Preset Activate
 - Zone Set to Level
 - Space Set to Level
- Vacancy Event
 - Preset Activate
 - Zone Set to Level
 - Space Set to Level
 - Space Off
- Button Push
 - Preset Toggle, Preset Activate
 - Zone Toggle, Zone Lower, Zone Raise, Zone Set to Level, Zone Set to Color
 - Space Off, Space Toggle, Space Lower, Space Raise, Space Set to Level, Space Set to Color
 - Space Combine Toggle, Space Combine, Space Uncombine, Sequence Toggle,
- Button Hold
 - Zone Lower
 - Zone Raise
 - Space Lower
 - Space Raise
- Button Double Tap
 - Preset Toggle, Preset Activate
 - Zone Toggle, Zone Set to Level, Zone Set to Color
 - Space Off, Space Toggle, Space Set to Level, Space Set to Color

ECHO FAMILY OF PRODUCTS

EchoConnect Power Supplies

MODEL	DESCRIPTION
E-SPS	6U Room Station Power Supply, Knockout Mount
E-SPS-DIN	16U DIN rail Station Power Supply with 24V Aux
E-SPM	16U DRd Station Power Module
E-SPM-A	16U DRd Station Power Module with 24V Aux
E-SPM-RM	16U Rack-Mount Station Power Module Aux
E-SPM-RM-A	16U Rack-Mount Station Power Module 24V Aux
E-SPM-WM	16U Wall-Mount Station Power Module
E-SPM-WM-A	16U Wall-Mount Station Power Module 24V Aux
E-APS	24V Aux Power Supply, Knockout Mount

Echo Stations

MODEL	DESCRIPTION
E1001	Inspire One Button Station
E1002	Inspire Two Button Station
E1004	Inspire Four Button Station
E1006	Inspire Six Button Station
E1008	Inspire Eight Button Station
E1104	Inspire Four Button with Fader Station
EPS05	Echo Preset Station - 5 Button
EPS10	Echo Preset Station - 10 Button
EPSLO	Echo Lockout Station
E-ATC	Echo TimeClock

Echo Responsive Controls

MODEL	DESCRIPTION
ELS	Light Sensor
EOCC	Ceiling-Mount PIR Occupancy Sensor
EVAC	Ceiling-Mount PIR Vacancy Sensor
E-DOC-C	Ceiling-Mount Dual Tech Occupancy Sensor
E-DVAC-C	Ceiling-Mount Dual Tech Vacancy Sensor
E-DOC-W	Wall-Mount Dual Tech Occupancy Sensor
E-DVAC-W	Wall-Mount Dual Tech Vacancy Sensor
E-DOC-SM1	Switch-Mount Dual Tech Sensor - One Button
E-DOC-SM2	Switch-Mount Dual Tech Sensor - Two Button

Echo Interfaces

MODEL	DESCRIPTION
EACC	EchoAccess™ Interface
EEB	Echo Expansion Bridge
EDMXC	Echo DMX Scene Controller
EEL	Echo-Echoflex Interface
ECII	Echo Contact Input Interface
ECOI	Echo Contact Output Interface

Zone Controllers

MODEL	DESCRIPTION
ERC	One Zone Relay Controller
EDRC	Two Zone Relay Controller
ELD	One Zone 0-10V Dimming Controller
EDLD	Two Zone 0-10V Dimming Controller
ESSC	One Zone SmartSpace Controller
EDSSC	Two Zone SmartSpace Controller
ELVD	600-Watt Phase Adaptive Dimmer
ELVD-277	600-Watt Phase Adaptive Dimmer- 277V

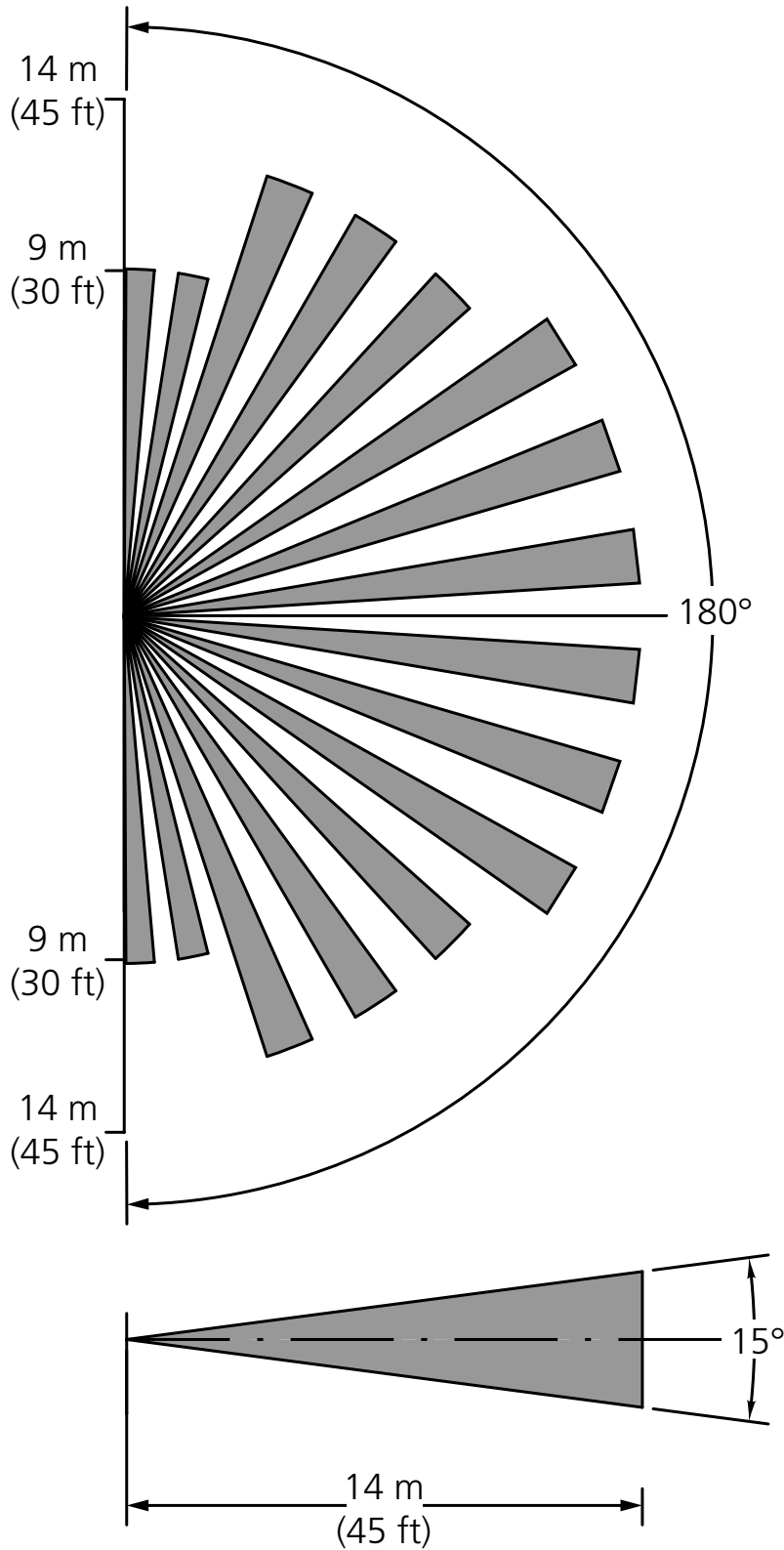
Room Controllers

MODEL	DESCRIPTION
ERM4	Four Zone Room Controller
ERMCT4	Four Zone Room Controller with TimeClock
ERM8	Eight Zone Room Controller
ERMCT8	Eight Zone Room Controller with TimeClock

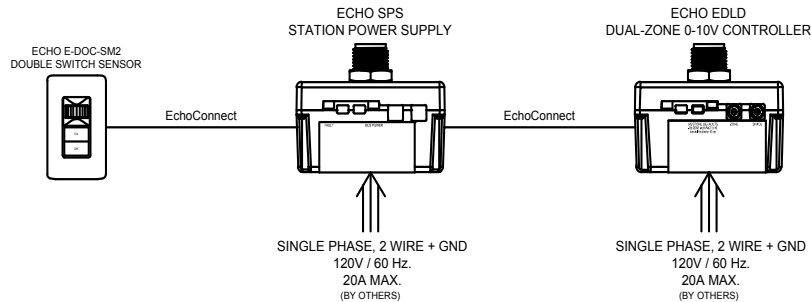
Panel Products

MODEL	DESCRIPTION
ERP	Echo Relay Panel Mains Feed
ERP-FT	Echo Relay Panel Feed Through
SensorIQ	Sensor IQ Intelligent Breaker System
SR3	Sensor3 Power Control System
DRd	Unison DRd with Echo Control

COVERAGE PATTERN



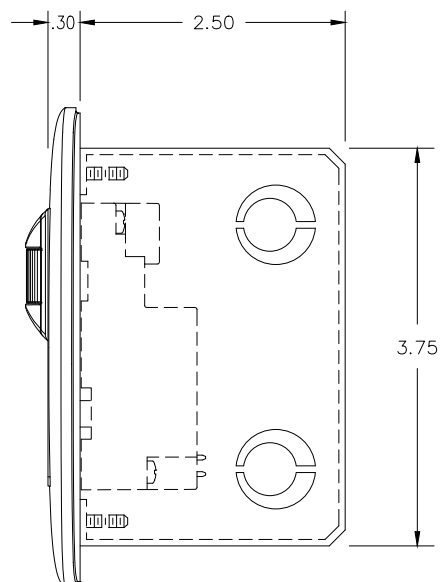
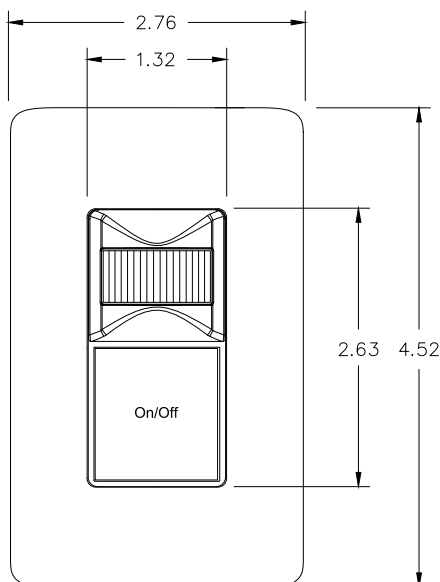
SAMPLE RISER



PHYSICAL

Product Dimensions

MODEL	HEIGHT		WIDTH		DEPTH	
	inches	mm	inches	mm	inches	mm
E-DOC-SM1	4.52	115	2.76	71	0.30	8
E-DOC-SM2	4.52	115	2.76	71	0.30	8



Corporate Headquarters • 3031 Pleasant View Rd, PO Box 620979, Middleton WI 53562 0979 USA • +1 608 831 4116

London, UK • Unit 26-28, Victoria Industrial Estate, Victoria Road, London W3 6UU, UK • +44 (0) 20 8896 1000

Rome, IT • Via Pieve Torina, 48, 00156 Rome, Italy • +39 (06) 32 111 683

Holzkirchen, DE • Ohmstrasse 3, 83607 Holzkirchen, Germany • +49 (80 24) 47 00-0

Hong Kong • Room 1801, 18/F, Tower 1 Phase 1, Enterprise Square, 9 Sheung Yuet Road, Kowloon Bay, Kowloon, Hong Kong • +852 2799 1220

Web • etconnect.com • Copyright©2017 ETC. All Rights Reserved. All product information and specifications subject to change. 7186L1022 Rev A 05/17