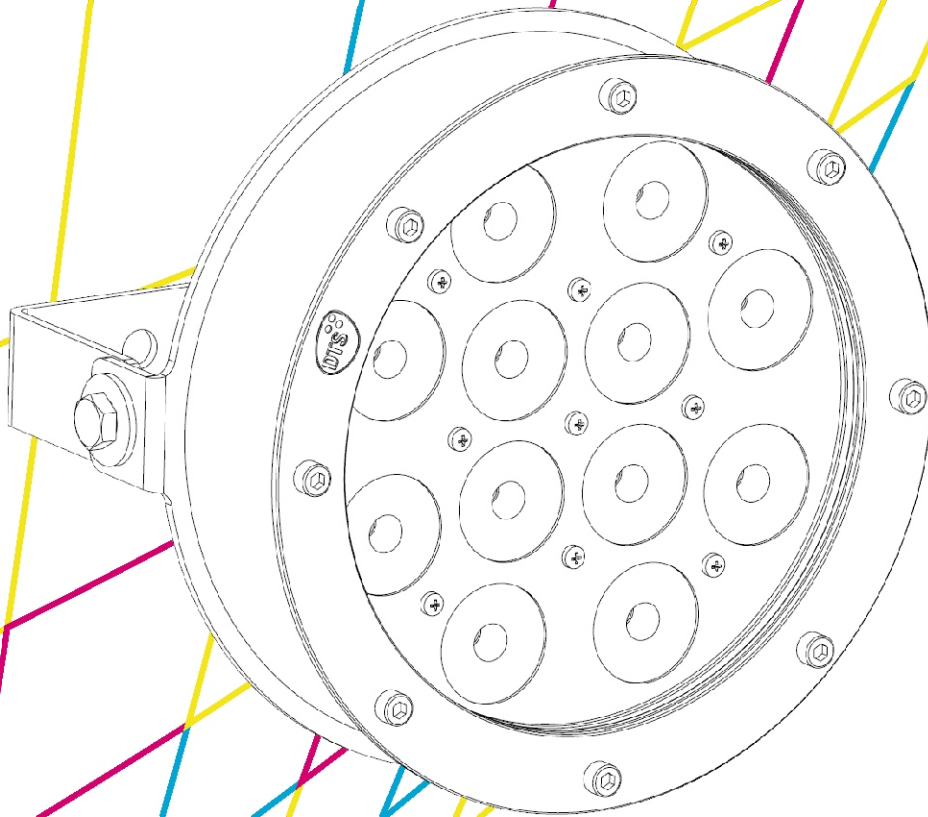


HELIOS BRONZE 12 FC



CE

User's Manual rel 1.2 **GB**

D.T.S. Illuminazione s.r.l. - ITALY
<http://www.dts-lighting.it>



Made in Italy

Le informazioni contenute in questo documento sono state attentamente redatte e controllate. Tuttavia non è assunta alcuna responsabilità per eventuali inesattezze. Tutti i diritti sono riservati e questo documento non può essere copiato, fotocopiato, riprodotto per intero o in parte senza previo consenso scritto della D.T.S .

D.T.S si riserva il diritto di apportare senza preavviso cambiamenti e modifiche estetiche , funzionali o di design a ciascun proprio prodotto. D.T.S non assume alcuna responsabilità sull'uso o sull'applicazione dei prodotti o dei circuiti descritti.

The information contained in this publication has been carefully prepared and checked. However, no responsibility will be taken for any errors. All rights are reserved and this document cannot be copied, photocopied or reproduced, in part or completely, without prior written consent from D.T.S. D.T.S. reserves the right to make any aesthetic, functional or design modifications to any of its products without prior notice. D.T.S. assumes no responsibility for the use or application of the products or circuits described herein.

Les informations contenues dans le présent manuel ont été rédigées et contrôlées avec le plus grand soin. Nous déclinons toutefois toute responsabilité en cas d'éventuelles inexactitudes. Tous droits réservés. Ce document ne peut être copié, photocopié ou reproduit, dans sa totalité ou partiellement, sans le consentement préalable de D.T.S.

D.T.S. se réserve le droit d'apporter toutes modifications et améliorations esthétiques, fonctionnelles ou de design, sans préavis, à chacun de ses produits. D.T.S. décline toute responsabilité sur l'utilisation ou sur l'application des produits ou des circuits décrits.

Las informaciones contenidas en este documento han sido cuidadosamente redactadas y controladas. Con todo, no se asume ninguna responsabilidad por eventuales inexactitudes. Todos los derechos han sido reservados y este documento no puede ser copiado, fotocopiado o reproducido, total o parcialmente, sin previa autorización escrita de D.T.S.

D.T.S. se reserva el derecho a aportar sin previo aviso cambios y modificaciones de carácter estético, funcional o de diseño a cada producto suyo. D.T.S. no se asume responsabilidad de ningún tipo sobre la utilización o sobre la aplicación de los productos o de los circuitos descritos.

TECHNICAL SPECIFICATIONS

DTS Product codes:

03.LIB006E99FC08	HELIOS BRONZE 12 FC Ultra-Narrow lenses
03.LIB006E99FC10	HELIOS BRONZE 12 FC Narrow lenses
03.LIB006E99FC25	HELIOS BRONZE 12 FC Medium flood lenses
03.LIB006E99FC40	HELIOS BRONZE 12 FC Wide flood lenses

LED Technology

12 x FULL RGBW LEDs; 4800 Lumens
LEDs average lifespan: 50.000 hours (70% lumen output)

Optical group

4 lenses sets available: Ultra-Narrow, Narrow, Medium flood, Wide flood

Control

DMX 512 / RDM control system (DRIVENET PSU or Z1 PSU is required)

Protection

IP 68 protection level

Construction

HELIOS BRONZE 12 FC is made on bronze and stainless steel.
The unit is fitted with a mounting bracket, for installation on walls, trusses, etc.

Power supply

External dedicated DRIVENET 832/416 PSU or Z1 PLUS PSU
Full range 100-240Vac 50-60 Hz

Power consumption

120W Max

Connection

8 poles cable (1 m length)

Operating ambient temperature

-10° / 40°

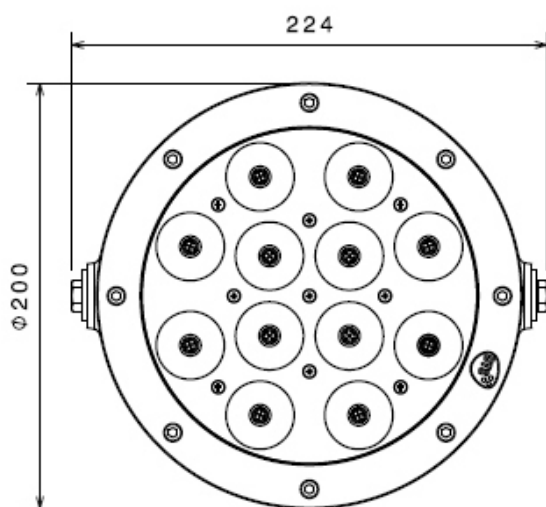
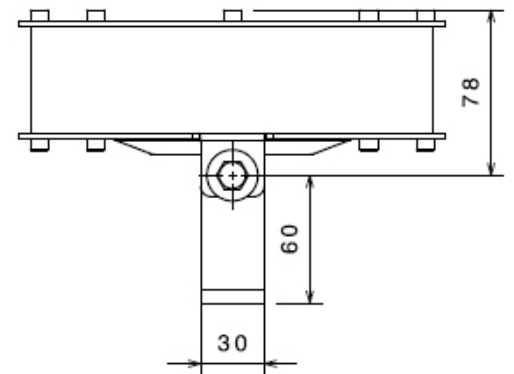
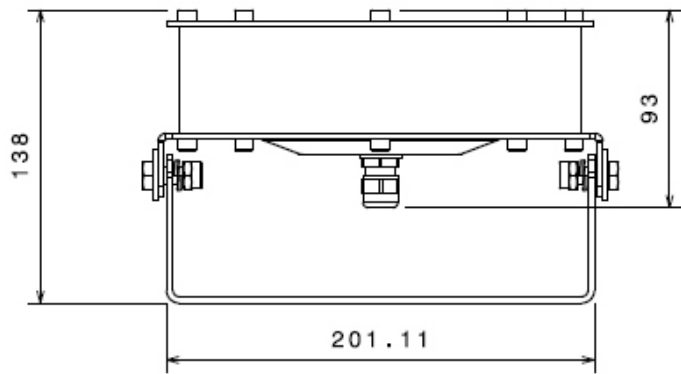
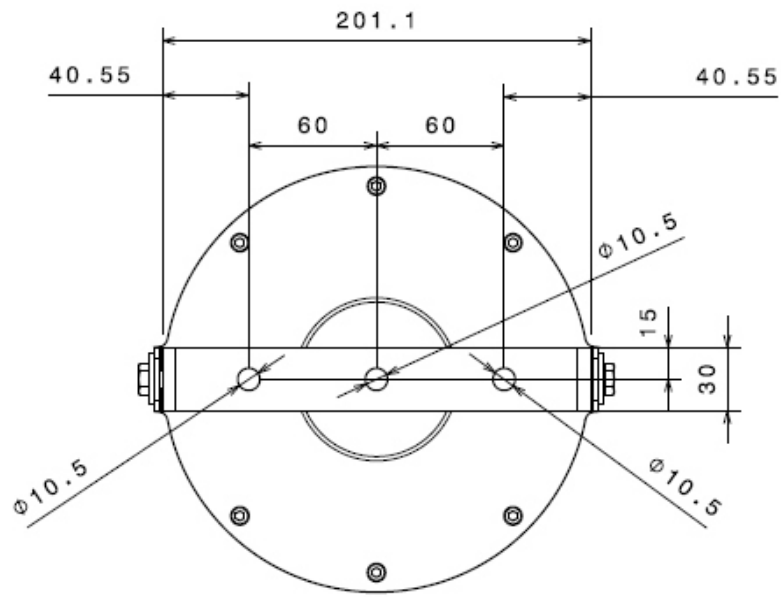
Weight

6,4 Kg

ACCESSORIES

- DRIVENET 832 PSU Screw terminals outputs (Code 03.LA.177)
- DRIVENET 416 PSU Screw terminals outputs (Code 03.LA.196)
- Z1 PLUS IP20 PSU (Code 03.LA.009P)
- Z1 PLUS IP65 PSU (Code 03.LA.009P.IP65)

DIMENSIONS



IMPORTANT SAFETY INFORMATION

Fire prevention:

It is permissible to place the unit on normally flammable surfaces.

Suitable for mounting on normally flammable materials surfaces greater than 200°C with some combustion time lag.

Safety:

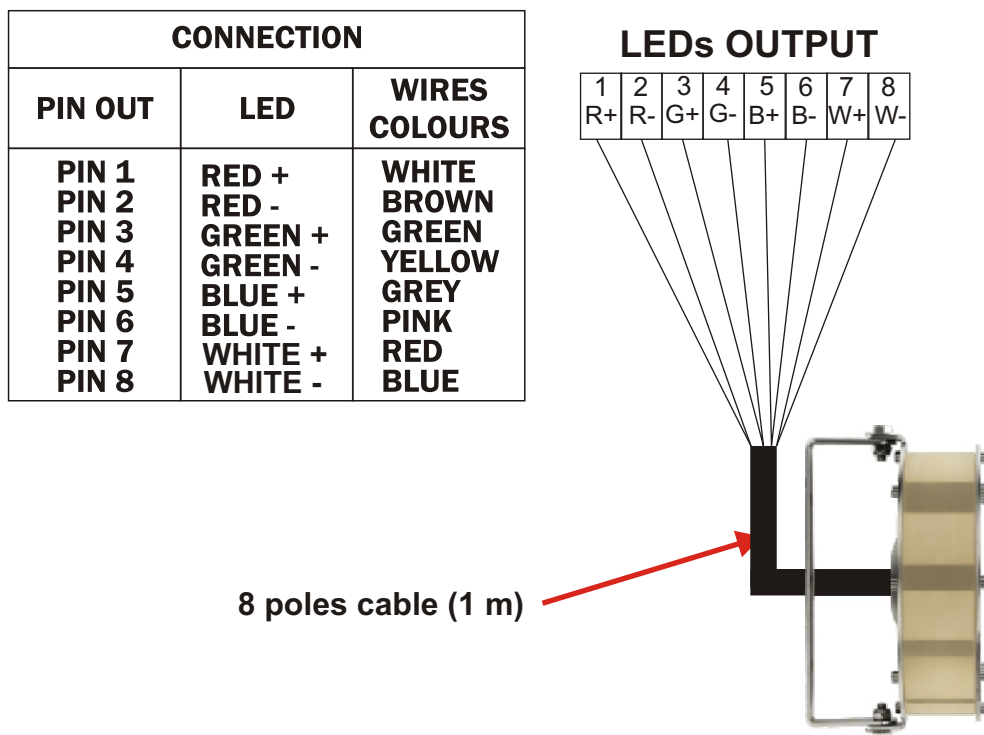
The external surface of the unit may exceed 50°C, never handle the unit until at least 5 minutes have elapsed since the unit was turned off.

Never install the unit in an enclosed area lacking sufficient air flow.

The ambient temperature should not exceed 40°C and should not be lower than -10°C.

WIRING DIAGRAMS

HELIOS BRONZE 12 FC is provided with a 8 poles cable (1 m length).

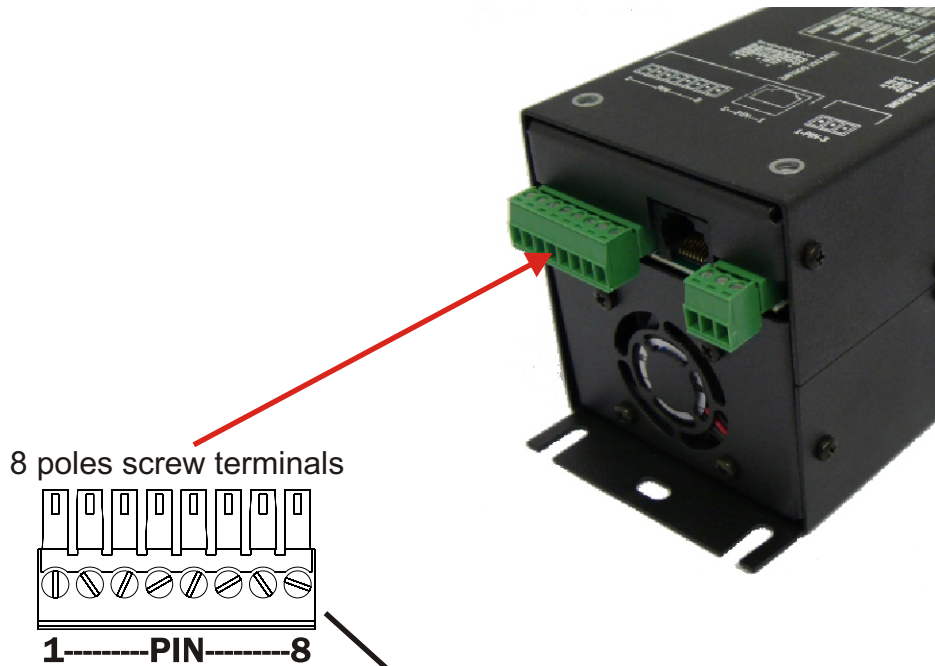


The maximum distance between the DRIVENET 832 PSU or DRIVENET 416 PSU and the HELIOS BRONZE 12 FC should not exceed 50 meters.

The maximum distance between the Z1 PLUS PSU and the HELIOS BRONZE 12 FC should not exceed 100 meters.

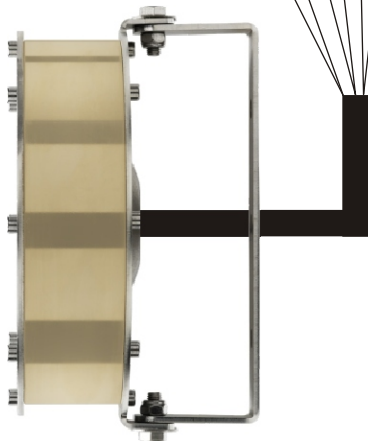
WIRING CONNECTIONS

Z1 PLUS IP20 PSU
(Code 03.LA.009P)



LEDs OUTPUT

1	2	3	4	5	6	7	8
R+	R-	G+	G-	B+	B-	W+	W-



CONNECTION		
PIN OUT	LED	WIRES COLOURS
PIN 1	RED +	WHITE
PIN 2	RED -	BROWN
PIN 3	GREEN +	GREEN
PIN 4	GREEN -	YELLOW
PIN 5	BLUE +	GREY
PIN 6	BLUE -	PINK
PIN 7	WHITE +	RED
PIN 8	WHITE -	BLUE

IMPORTANT:

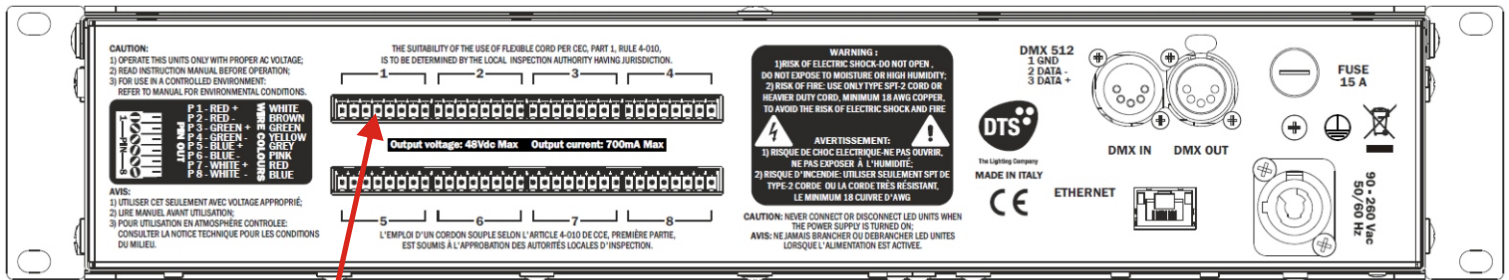
The maximum number of HELIOS BRONZE 12 FC connectable to the Z1 PLUS PSU is 1 piece.

Never plug in a HELIOS BRONZE 12 FC when the power supply is turned on.

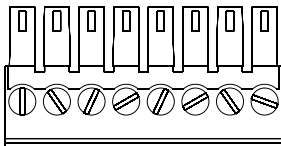
The maximum distance between the Z1 PLUS PSU and the HELIOS BRONZE 12 FC should not exceed 100 meters.

WIRING CONNECTIONS

DRIVENET 832 PSU Screw terminals outputs (Code 03.LA.177)



8 poles screw terminals



1-----PIN-----8

LEDs OUTPUT 1

1	2	3	4	5	6	7	8
R+	R-	G+	G-	B+	B-	W+	W-

CONNECTION

PIN OUT	LED	WIRES COLOURS
PIN 1	RED +	WHITE
PIN 2	RED -	BROWN
PIN 3	GREEN +	GREEN
PIN 4	GREEN -	YELLOW
PIN 5	BLUE +	GREY
PIN 6	BLUE -	PINK
PIN 7	WHITE +	RED
PIN 8	WHITE -	BLUE



IMPORTANT:

The maximum number of HELIOS BRONZE 12 FC connectable to each output of the DRIVENET 832 PSU is 1 piece.

Never plug in a HELIOS BRONZE 12 FC when the power supply is turned on.

The maximum distance between the DRIVENET 832 PSU and the HELIOS BRONZE 12 FC should not exceed 50 meters.

PROUDLY
MADE IN ITALY



DTS products are designed
and manufactured at the
DTS plants in Italy



ISO 9001:2008

DTS quality system is certified
to the ISO 9001:2008 standard

D.T.S. Illuminazione s.r.l - Via Fagnano Selve 12-14
47843 Misano Adriatico (RN) Italy
Tel.: +39 0541 611131 Fax +39 0541 611111
Info@dts-lighting.it www.dts-lighting.it



05171284