

DIVE 3



DIVE 3 R



DIVE 3

User's Manual rel 1.6 **GB**

D.T.S. Illuminazione s.r.l. - ITALY
<http://www.dts-lighting.it>



The Lighting Company

Made in Italy

Le informazioni contenute in questo documento sono state attentamente redatte e controllate. Tuttavia non è assunta alcuna responsabilità per eventuali inesattezze. Tutti i diritti sono riservati e questo documento non può essere copiato, fotocopiato, riprodotto per intero o in parte senza previo consenso scritto della D.T.S .

D.T.S si riserva il diritto di apportare senza preavviso cambiamenti e modifiche estetiche , funzionali o di design a ciascun proprio prodotto. D.T.S non assume alcuna responsabilità sull'uso o sull'applicazione dei prodotti o dei circuiti descritti.

The information contained in this publication has been carefully prepared and checked. However, no responsibility will be taken for any errors. All rights are reserved and this document cannot be copied, photocopied or reproduced, in part or completely, without prior written consent from D.T.S. D.T.S. reserves the right to make any aesthetic, functional or design modifications to any of its products without prior notice. D.T.S. assumes no responsibility for the use or application of the products or circuits described herein.

Les informations contenues dans le présent manuel ont été rédigées et contrôlées avec le plus grand soin. Nous déclinons toutefois toute responsabilité en cas d'éventuelles inexactitudes. Tous droits réservés. Ce document ne peut être copié, photocopié ou reproduit, dans sa totalité ou partiellement, sans le consentement préalable de D.T.S.

D.T.S. se réserve le droit d'apporter toutes modifications et améliorations esthétiques, fonctionnelles ou de design, sans préavis, à chacun de ses produits. D.T.S. décline toute responsabilité sur l'utilisation ou sur l'application des produits ou des circuits décrits.

Las informaciones contenidas en este documento han sido cuidadosamente redactadas y controladas. Con todo, no se asume ninguna responsabilidad por eventuales inexactitudes. Todos los derechos han sido reservados y este documento no puede ser copiado, fotocopiado o reproducido, total o parcialmente, sin previa autorización escrita de D.T.S.

D.T.S. se reserva el derecho a aportar sin previo aviso cambios y modificaciones de carácter estético, funcional o de diseño a cada producto suyo. D.T.S. no se asume responsabilidad de ningún tipo sobre la utilización o sobre la aplicación de los productos o de los circuitos descritos.

DIVE 3 FC - DIVE 3 R FC

D.T.S. Product codes:

03.LPB011E99FC25	DIVE 3 FC Medium flood lenses
03.LPB011E99FC40	DIVE 3 FC Wide flood lenses
03.LPS011E99FC25	DIVE 3 R FC Medium flood lenses
03.LPS011E99FC40	DIVE 3 R FC Wide flood lenses

LED technology

3 x FULL RGBW LEDs; 2700K - 6500K Colour temperature range; 920 Lumens
LEDs average lifespan: 75.000 hours (70% lumen output)

Optical units

2 lenses sets available: Medium flood and Wide flood

Control

DMX 512

Protection

IP68 protection level (max immersion depth: 2 m)

Construction

DIVE 3 FC: Bronze and stainless steel, fitted with a mounting bracket for underwater installation in fountains, swimming pools, etc.

DIVE 3 R FC: Bronze and stainless steel, reinforced structure with a round flange for recessed underwater installation in fountains, swimming pools, etc.

Power supply

DRIVENET 832 24Vdc Screw terminals outputs (D.T.S. Code: 03.LA.177.V2)

Power consumption

21W

Connection

8 poles cable (5 m length)

Weight

DIVE 3 FC: 1,7 Kg

DIVE 3 R FC: 1,8 Kg

DIVE 3 WHITE C.C. - DIVE 3 R WHITE C.C.

D.T.S. Product codes:

03.LPB011E99WB04 DIVE 3 WHITE 3000K 14° lenses C.C.
03.LPB011E99WB05 DIVE 3 WHITE 3000K 20° lenses C.C.
03.LPB011E99WB06 DIVE 3 WHITE 3000K 34° lenses C.C.
03.LPB011E99WB07 DIVE 3 WHITE 3000K 59° lenses C.C.

03.LPS011E99WB04 DIVE 3 R WHITE 3000K 14° lenses C.C.
03.LPS011E99WB05 DIVE 3 R WHITE 3000K 20° lenses C.C.
03.LPS011E99WB06 DIVE 3 R WHITE 3000K 34° lenses C.C.
03.LPS011E99WB07 DIVE 3 R WHITE 3000K 59° lenses C.C.

LED technology

3 x WHITE 3000K LEDs (2700K, 4000K and 5600K LEDs also available); 420 Lumens
LEDs average lifespan: 75.000 hours (70% lumen output)

Optical units

4 lenses sets available: 14°, 20°, 34° and 59°

Control

DMX 512

Protection

IP68 protection level (max immersion depth: 2 m)

Construction

DIVE 3 WHITE C.C.: Bronze and stainless steel, fitted with a mounting bracket for underwater installation in fountains, swimming pools, etc.

DIVE 3 R WHITE C.C.: Bronze and stainless steel, reinforced structure with a round flange for recessed underwater installation in fountains, swimming pools, etc.

Power supply

350mA Constant Current LED PSU (D.T.S. Code: 0502T032.1)

500mA Constant Current LED PSU (D.T.S. Code: 0502T047)

530mA Constant Current LED PSU (D.T.S. Code: 0502T070)

700mA Constant Current LED PSU (D.T.S. Code: 0502T031)

DRIVENET 832 24Vdc Screw terminals outputs (D.T.S. Code: 03.LA.177.V2)

Power consumption

6W Max

Connection

2 x 0,75 sq mm cable (5 m length)

Weight

DIVE 3 WHITE C.C.: 1,7 Kg

DIVE 3 R WHITE C.C.: 1,8 Kg

DIVE 3 WHITE 12Vdc - DIVE 3 R WHITE 12Vdc

D.T.S. Product codes:

03.LPB005E99WB04 DIVE 3 WHITE 3000K 14° lenses 12Vdc
03.LPB005E99WB05 DIVE 3 WHITE 3000K 20° lenses 12Vdc
03.LPB005E99WB06 DIVE 3 WHITE 3000K 34° lenses 12Vdc
03.LPB005E99WB07 DIVE 3 WHITE 3000K 59° lenses 12Vdc

03.LPS005E99WB04 DIVE 3 R WHITE 3000K 14° lenses 12Vdc
03.LPS005E99WB05 DIVE 3 R WHITE 3000K 20° lenses 12Vdc
03.LPS005E99WB06 DIVE 3 R WHITE 3000K 34° lenses 12Vdc
03.LPS005E99WB07 DIVE 3 R WHITE 3000K 59° lenses 12Vdc

LED technology

3 x WHITE 3000K LEDs (2700K, 4000K and 5600K LEDs also available); 420 Lumens
LEDs average lifespan: 75.000 hours (70% lumen output)

Optical units

4 lenses sets available: 14°, 20°, 34° and 59°

Control

DMX 512

Protection

IP68 protection level (max immersion depth: 2 m)

Construction

DIVE 3 WHITE C.C.: Bronze and stainless steel, fitted with a mounting bracket for underwater installation in fountains, swimming pools, etc.

DIVE 3 R WHITE C.C.: Bronze and stainless steel, reinforced structure with a round flange for recessed underwater installation in fountains, swimming pools, etc.

Power supply

20W 12Vdc PSU (D.T.S. Code: 0502B023)

100W 12Vdc PSU (D.T.S. Code: 0502T067)

Power consumption

6W Max

Connection

2 x 0,75 sq mm cable (5 m length)

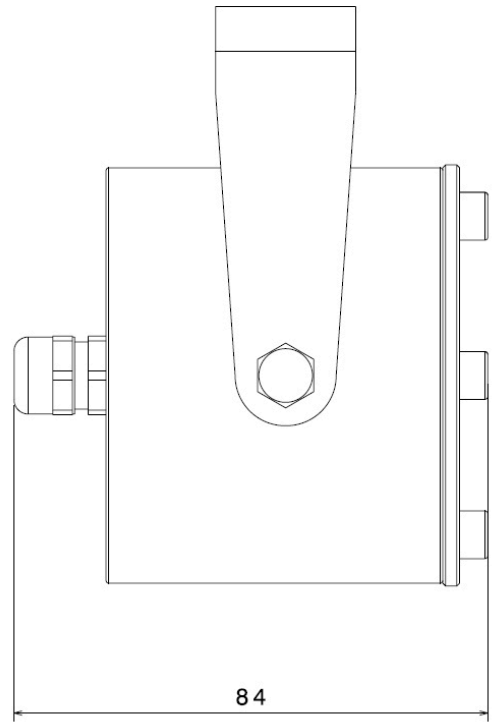
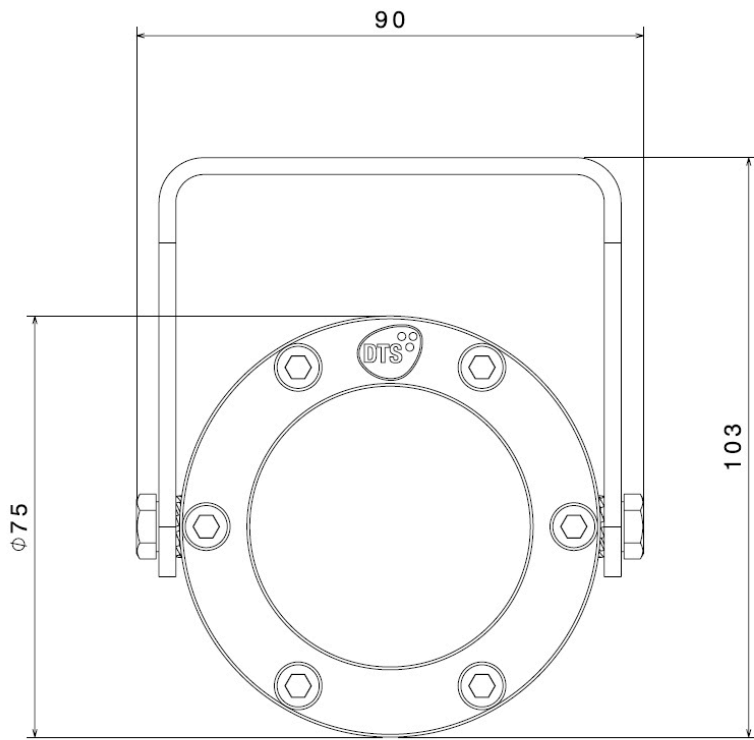
Weight

DIVE 3 WHITE C.C.: 1,7 Kg

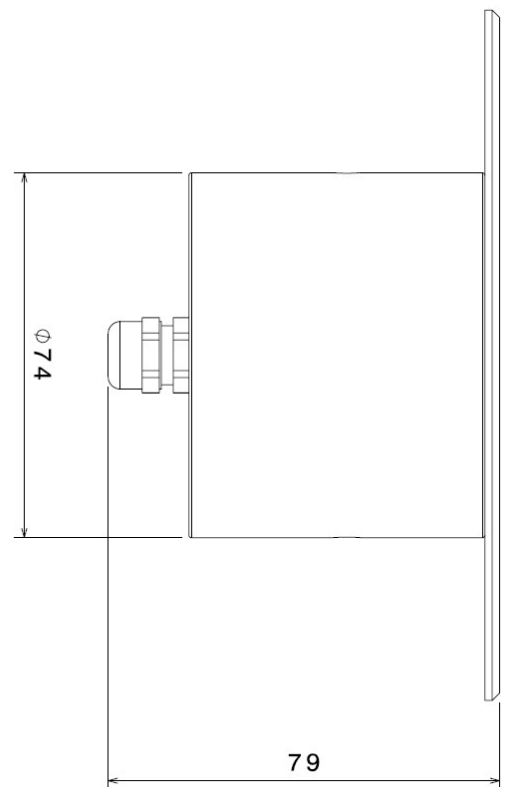
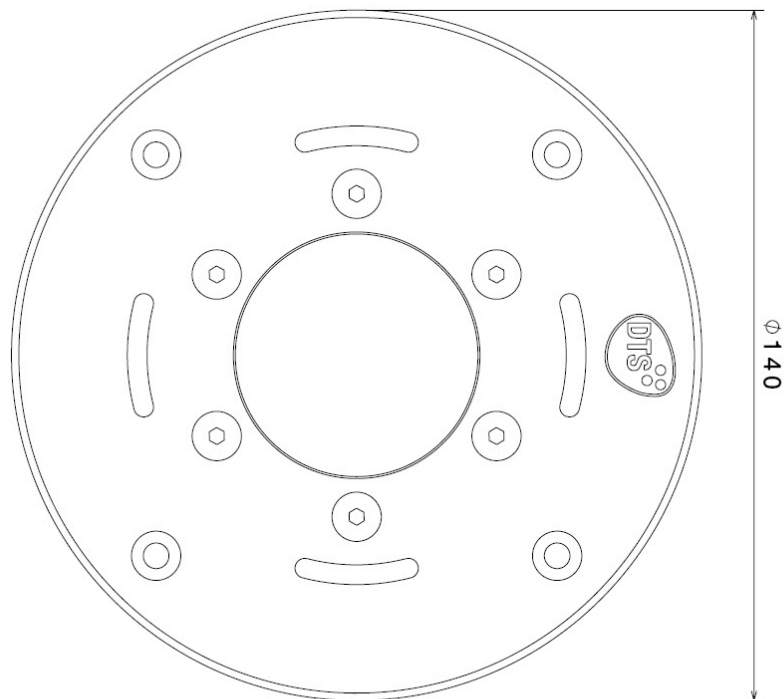
DIVE 3 R WHITE C.C.: 1,8 Kg

DIMENSIONS

DIVE 3



DIVE 3 R



IMPORTANT SAFETY INFORMATION

Fire prevention:

It is permissible to place the unit on normally flammable surfaces.

Suitable for mounting on normally flammable materials surfaces greater than 200°C with some combustion time lag.

Safety:

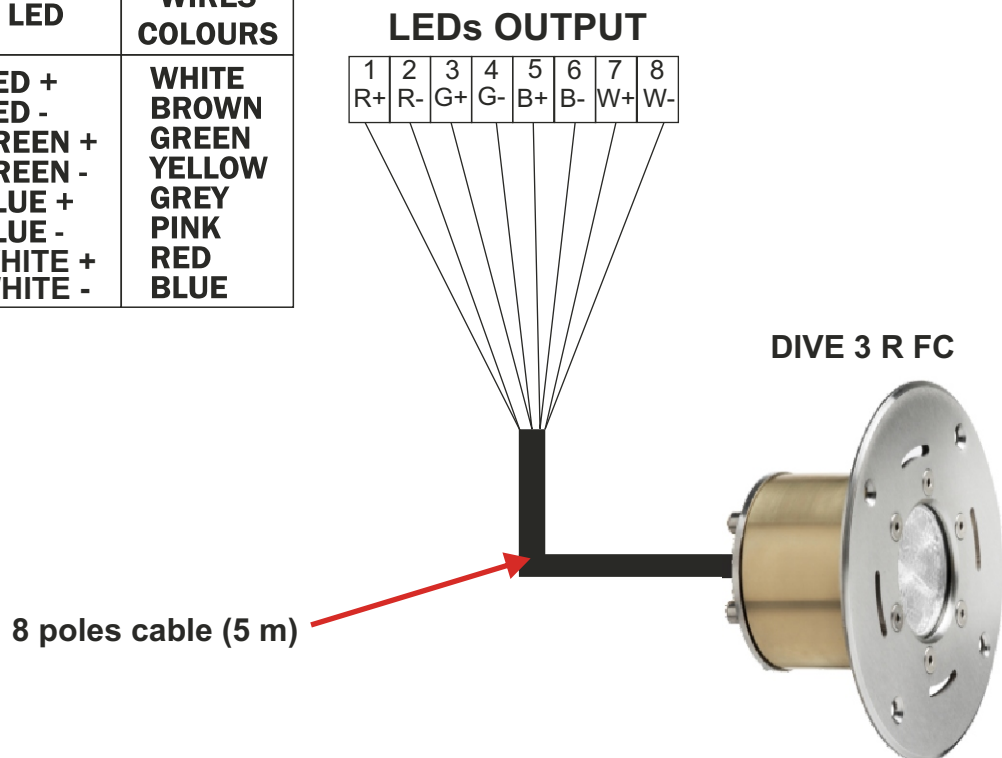
The external surface of the unit may exceed 50°C; never handle the unit until at least 5 minutes have elapsed since the unit was turned off.

The ambient temperature should not exceed 40°C and should not be lower than -10°C.

CONNECTION

DIVE 3 FC and DIVE 3 R FC are provided with a 8 poles cable (5 m length).

CONNECTION		
PIN OUT	LED	WIRES COLOURS
PIN 1	RED +	WHITE
PIN 2	RED -	BROWN
PIN 3	GREEN +	GREEN
PIN 4	GREEN -	YELLOW
PIN 5	BLUE +	GREY
PIN 6	BLUE -	PINK
PIN 7	WHITE +	RED
PIN 8	WHITE -	BLUE

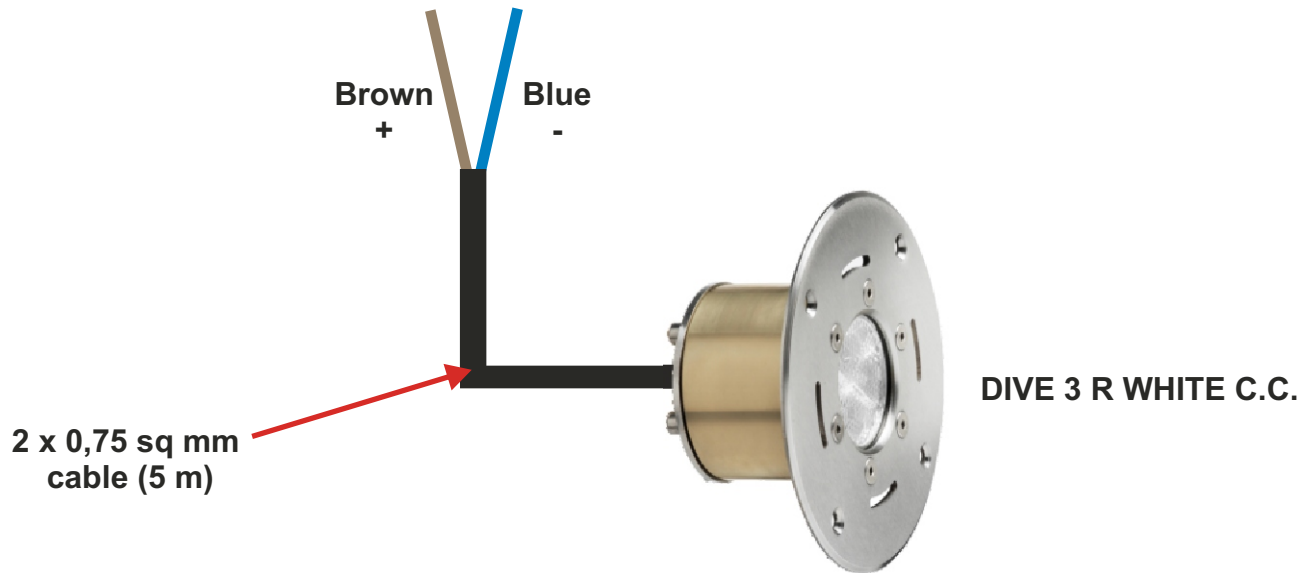


The maximum distance between the power supply and the unit should not exceed 50 meters.

CONNECTION

DIVE 3 WHITE C.C. and DIVE 3 R WHITE C.C. are provided with a 2 x 0,75 sq mm cable (5 m length).

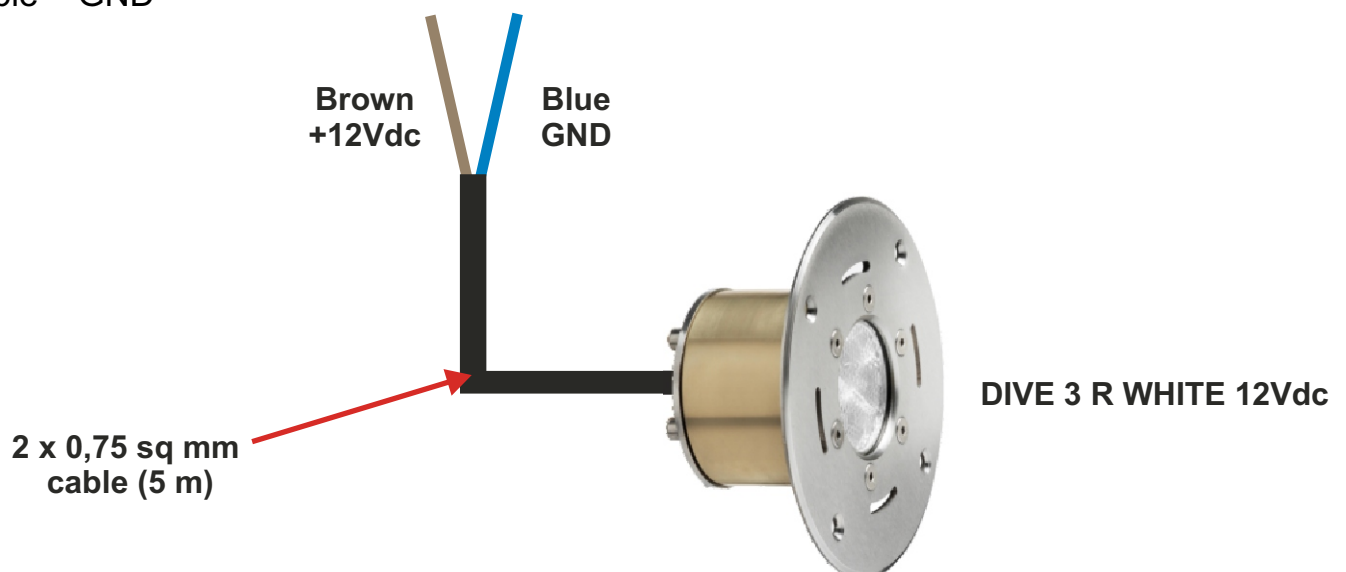
Brown cable = +
Blue cable = -



The maximum distance between the power supply and the unit should not exceed 15 meters.

DIVE 3 WHITE 12Vdc and DIVE 3 R WHITE 12Vdc are provided with a 2 x 0,75 sq mm cable (5 m length).

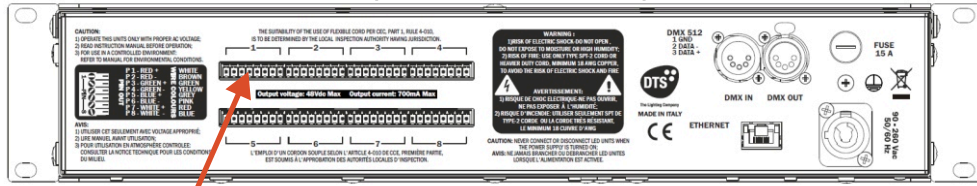
Brown cable = +12Vdc
Blue cable = GND



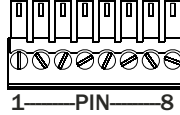
The maximum distance between the power supply and the unit should not exceed 15 meters.

WIRING DIAGRAMS

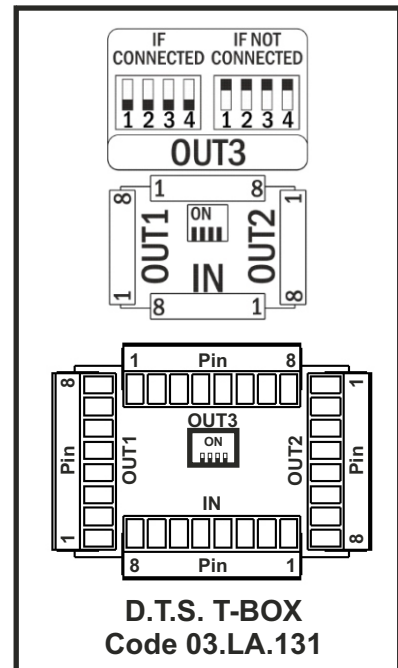
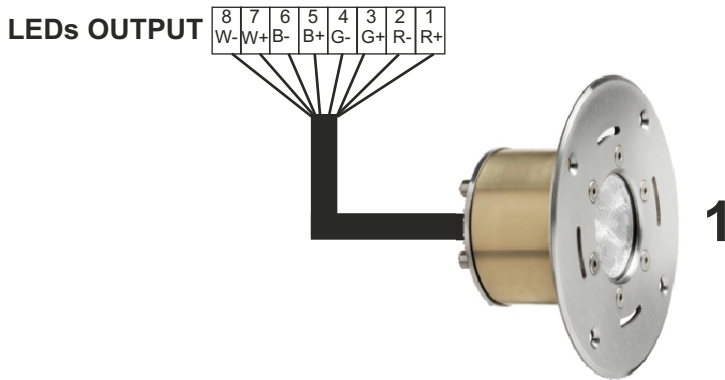
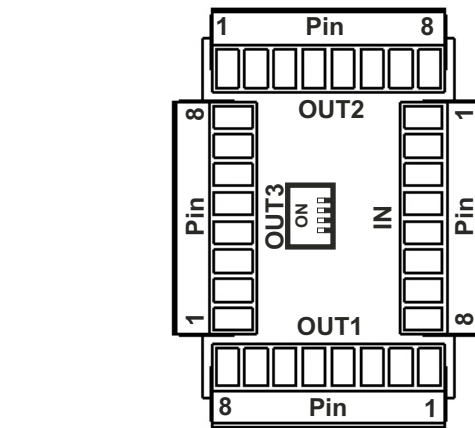
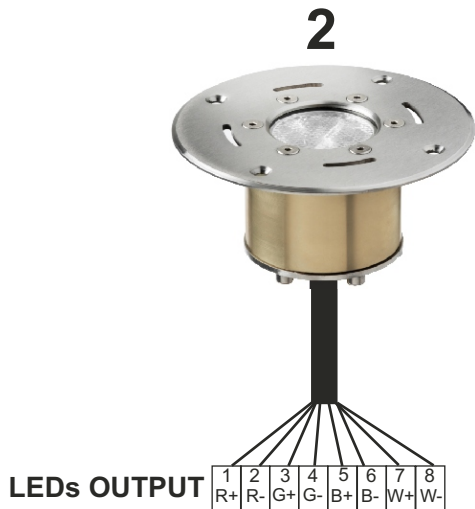
**DRIVENET 832 24Vdc Screw terminals outputs
(Code 03.LA.177.V2)**



8 poles screw terminals



CONNECTION		
PIN OUT	LED	WIRES COLOURS
PIN 1	RED +	WHITE
PIN 2	RED -	BROWN
PIN 3	GREEN +	GREEN
PIN 4	GREEN -	YELLOW
PIN 5	BLUE +	GREY
PIN 6	BLUE -	PINK
PIN 7	WHITE +	RED
PIN 8	WHITE -	BLUE

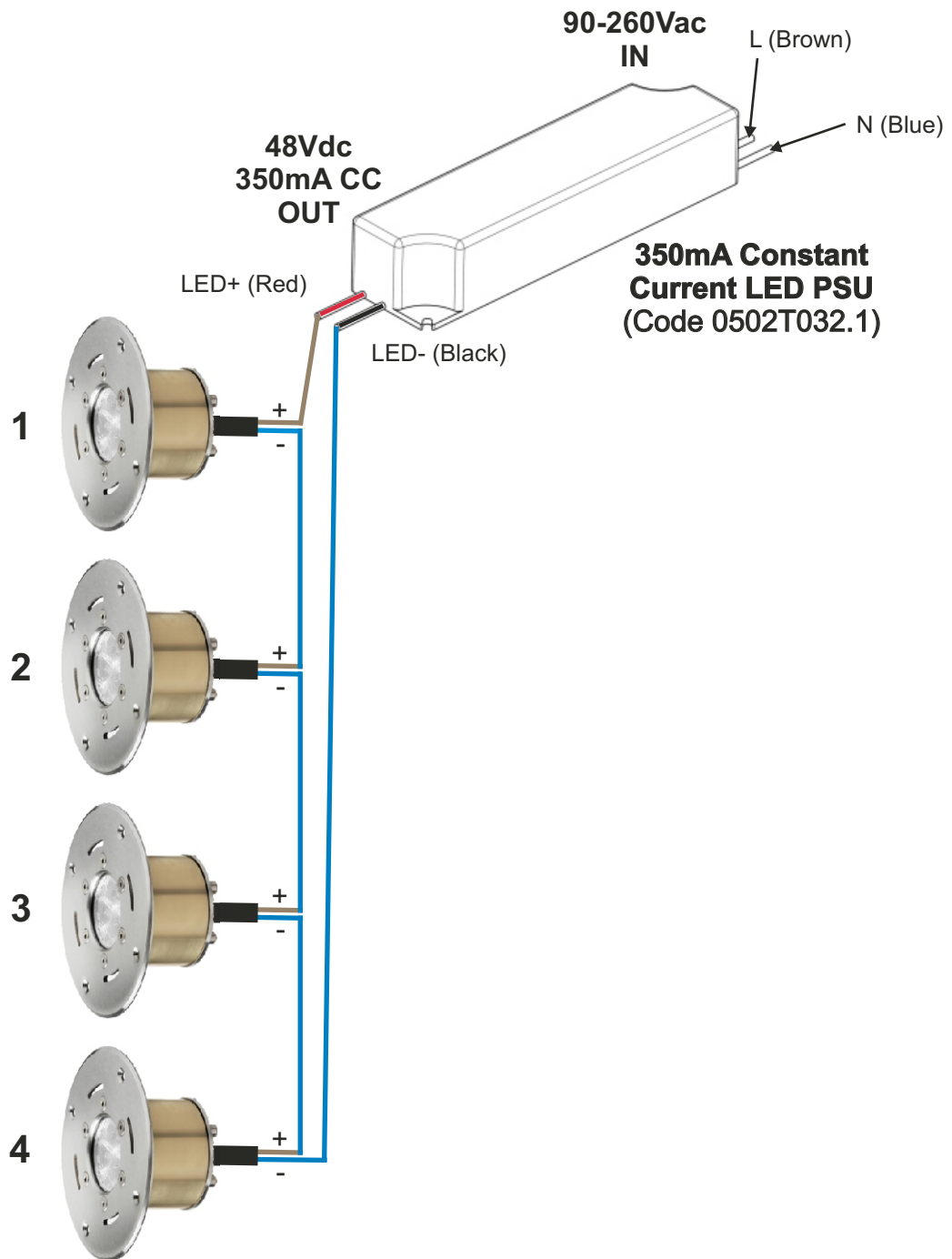


The maximum number of DIVE 3 FC and DIVE 3 R FC connectable to each output of the DRIVENET 832 24Vdc is 2 pcs.

Never plug the cable coming from the Power supply into OUT 1, OUT 2 or OUT 3 of the T-BOX because a wrong connection can seriously damage the projector or the power supply.

Never plug in a new DIVE projector when the power supply is turned on.

The maximum distance between the power supply and the unit should not exceed 50 meters.

WIRING DIAGRAMS**IMPORTANT:**

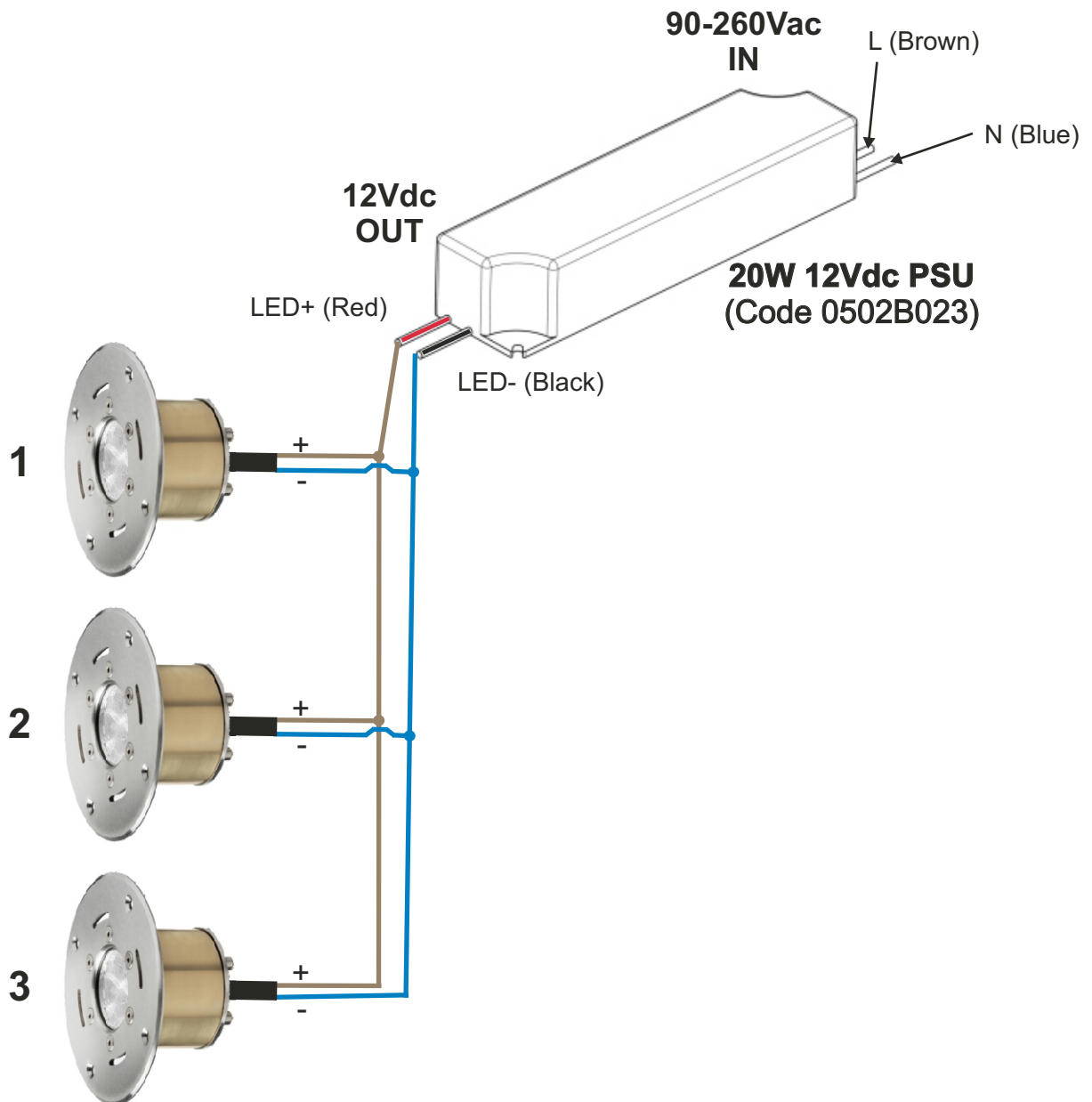
The maximum number of DIVE 3 WHITE C.C. or DIVE 3 R WHITE C.C. connectable to a 350mA, 500mA or 700mA Constant current LED PSU is 4 pcs.

The maximum distance between the PSU and the unit should not exceed 15 meters.

Never connect or disconnect a DIVE unit when the power supply is turned on.

**WARNING:**

**DIVE 3 WHITE C.C. UNIT MUST BE DRIVEN ONLY WITH CONSTANT CURRENT PSU.
DO NOT CONNECT THE UNIT TO ANY 12-24Vdc PSU, IT WILL BE DAMAGED.**

WIRING DIAGRAMS**IMPORTANT:**

The maximum number of DIVE 3 WHITE 12Vdc or DIVE 3 R WHITE 12Vdc connectable to a 20W 12Vdc PSU (Code 0502B023) is 3 pcs.

The maximum distance between the PSU and the unit should not exceed 15 meters.

Never connect or disconnect a DIVE unit when the power supply is turned on.



WARNING:
DIVE 3 WHITE 12Vdc UNIT MUST BE DRIVEN ONLY WITH 12Vdc PSU.

The information contained in this publication has been carefully prepared and checked. However, no responsibility will be taken for any errors. All rights are reserved and this document cannot be copied, photocopied or reproduced, in part or completely, without prior written consent from D.T.S.
D.T.S. reserves the right to make any aesthetic, functional or design modifications to any of its products without prior notice. D.T.S. assumes no responsibility for the use or application of the products or circuits described herein.

MADE IN ITALY



The Lighting Company

ISO 9001:2008

D.T.S. quality system
is certified to the
ISO 9001:2008 standard



D.T.S. products are designed
and manufactured at the D.T.S.
plants in Italy



05171119