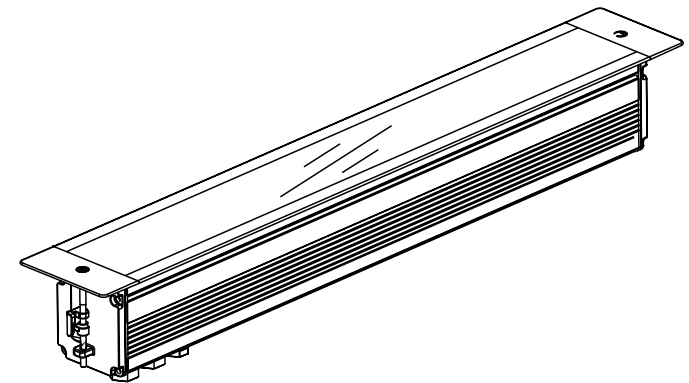


arctik®

AURORA



USER MANUAL

MODELS:

AP761ET/AP761T/AP761SCT/AP761SNT/AP761SWT/AP762SBT/AP762SCT/AP762SGT/AP762SNT/
AP762SRT/AP762SWT

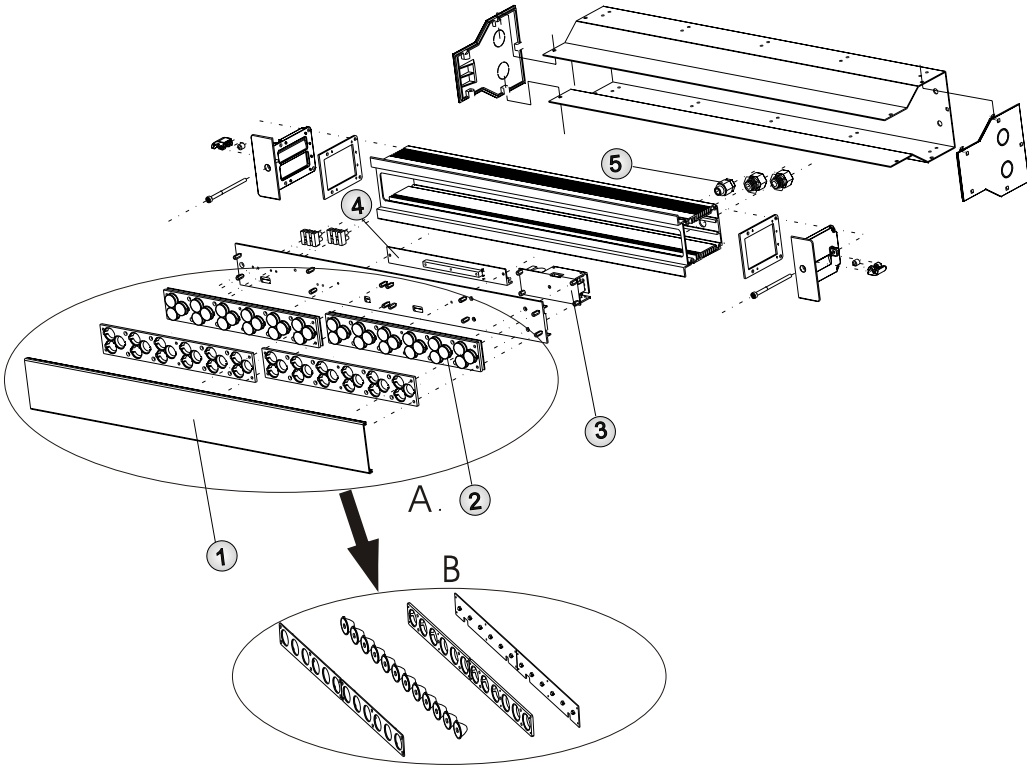
T ABLE OF CONTENTS

NOTES

PART 1 PRODUCT SPECIFICATIONS.....	1.
1.1-- <i>PRODUCT FEATURES</i>	1.
1.2-- <i>TECHNICAL SPECIFICATIONS</i>	1.
1.3-- <i>DIMENSIONS</i>	1.
1.4-- <i>SAFETY WARNING</i>	2.
PART 2 INSTALLATION.....	3.
2.1-- <i>MOUNTING</i>	3.
2.2-- <i>POWER CONNECTIONS</i>	4.
2.3-- <i>SIGNAL CONNECTIONS</i>	4.
PART 3 USING THE DMX CODER.....	5.
3.1-- <i>TECHNICAL SPECIFICATIONS</i>	5.
3.2-- <i>SETTING PARAMETERS</i>	5.
3.3-- <i>BASIC</i>	6.
3.4-- <i>MENU</i>	6.
3.5-- <i>DMX ADDRESS</i>	7.
3.6-- <i>PERSONALITY</i>	7.
3.7-- <i>CALIBRATION</i>	7.
3.8-- <i>DIMMER</i>	8.
3.9-- <i>STATIC</i>	8.
3.10-- <i>SETTINGS</i>	8.
PART 4 CONTROL WITH A DMX512 CONTROLLER.....	9.
4.1-- <i>CHANNEL ASSIGNMENT</i>	9.
PART 5 APPENDIX.....	12.
5.1-- <i>MAINTENANCE</i>	12.

5 APPENDIX

5.1 MAINTENANCE



- A | 36 PCS LED
- B | 12 PCS LED

No	ITEM
1	template glass
2	LED PCB
3	Power switch
4	Driver PVC
5	Pressure valve

1 PRODUCT SPECIFICATIONS

1.1 PRODUCT FEATURES

LED FIXTURE

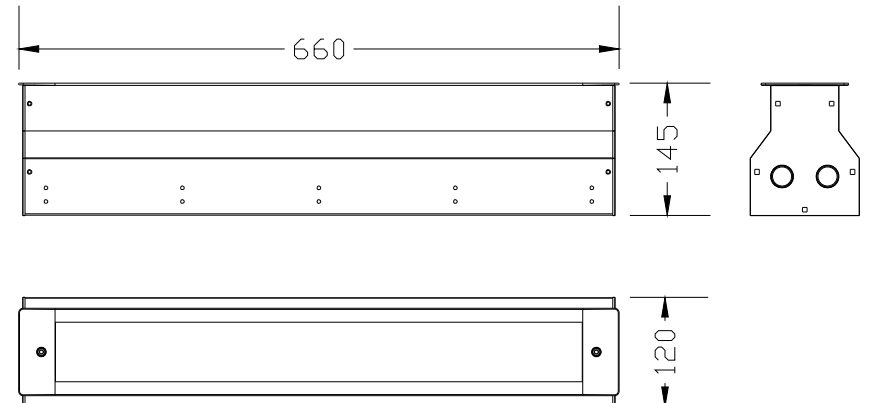
- * Setting:DMX Coder(AM-700)
- * Opration:DMX512/Static Play
- * Function:RGBW 0-100%dimming;Linear/Nonlinear dimming;RGB Calibration
- * Installation:Inground/inwall
- * Power:3 core in
- * Data :5 core in/out cable

1.2 TECHNICAL SPECIFICATIONS

LED MODULE

Model	Voltage	IP	Operation Temperature (°C)	Weight (Kg)	Dimensions 2 (mm)	Power (W)	DMX CONTROL
RGB COLOR 1 3W x 12 Tri-color	AC100 ~ 240V 50/60Hz	IP67	Startup: -20 ~ 45 operating: -40 ~ 45	3.5	660x120x145	43	YES
RGB COLOR 2 R: 1W x 12 G: 1W x 12 B: 1W x 12							YES
SOLID COLOR 1 1W x 36 cW/nW/wW						15	YES
SOLID COLOR 2 1W x 12 R/B/G/cW/nW/wW						15	YES

1.3 DIMENSIONS



1.4 SAFETY WARNING

IMPORTANT

[ALWAYS READ THE USER MANUAL BEFORE OPERATION.]
[PLEASE CONFIRM THAT THE POWER SUPPLY STATED ON THE PRODUCT IS THE SAME AS THE MAINS POWER SUPPLY IN YOUR AREA.]

- This product must be installed by a qualified professional.
- Always operate the equipment as described in the user manual.
- A minimum distance of 0.5m must be maintained between the equipment and combustible surface.
- The product must always be placed in a well ventilated area.
- Always make sure that the equipment is installed securely.
- DO NOT stand close to the equipment and stare directly into the LED light source.
- Always disconnect the power supply before attempting maintenance.
- Always make sure that the supporting structure is solid and can support the combined weight of the products.
- The earth wire must always be connected to the ground.
- Do not touch the power cables if your hands are wet.

ATTENTION



- This product left the place of manufacture in perfect condition. In order to maintain this condition and for safe operation, the user must always follow the instructions and safety warnings described in this user manual.
- Avoid shaking or strong impacts to any part of the equipment.
- Make sure that all parts of the equipment are kept clean and free of dust.
- Always make sure that the power connections are connected correct and secure.
- If there is any malfunction of the equipment, contact your distributor immediately.
- When transferring the product, it is advisable to use the original packaging in which the product left the factory.
- Shields, lenses or ultraviolet screens shall be changed if they have become damaged to such an extent that their effectiveness is impaired.
- It is important that the power cable is frequently inspected to ensure that there is no damage in any position. If the power cable is damaged in any way, it should be replaced by a qualified electrical technician.
- The flexible shall be connected by conduit.
- The lamp (LED) shall be changed if it has become damaged or thermally deformed.

CHANNEL	VALUE	FUNCTION
7	0 ↔ 9	DIMMING SPEED Return to DIMMER
	10 ↔ 29	OFF (Dimmer speed off)
	30 ↔ 69	DIM1 (Speed 1, the fastest)
	70 ↔ 129	DIM2 (Speed 2)
	130 ↔ 189	DIM3 (Speed 3)
190 ↔ 255	DIM4 (Speed 4, the slowest)	

SOLID

CHANNEL	VALUE	FUNCTION
1	0 ↔ 255	RGB & MASTER DIMMER

SPECIAL1

CHANNEL	VALUE	FUNCTION
1	0 ↔ 255	MODULE1 RED
2	0 ↔ 255	MODULE1 GREEN
3	0 ↔ 255	MODULE1 BLUE
4	0 ↔ 255	MODULE2 RED
5	0 ↔ 255	MODULE2 GREEN
6	0 ↔ 255	MODULE2 BLUE

[SOLID]

- Note: This product has one DMX512 channel configurations: **[SOLID]** .

SOLID

CHANNEL	VALUE	FUNCTION
1	0 ↔ 255	DIMMER

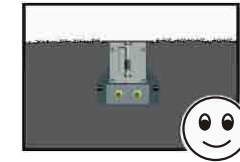
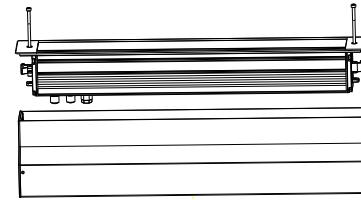
ARC FULL

CHANNEL	VALUE	FUNCTION
1	0 ↔ 255	MASTER DIMMER
2	0 ↔ 255	RED
3	0 ↔ 255	GREEN
4	0 ↔ 255	BLUE
5	0 ↔ 10	COLOR MACRO NO FUNCTION
	11 ↔ 30	RED 100%/GREEN UP/BLUE 0%
	31 ↔ 50	RED DOWN/GREEN 100%/BLUE 0%
	51 ↔ 70	RED 0%/GREEN 100%/BLUE UP
	71 ↔ 90	RED 0%/GREEN DOWN/BLUE 100%
	91 ↔ 110	RED UP/GREEN 0%/BLUE 100%
	111 ↔ 130	RED 100%/GREEN 0%/BLUE DOWN
	131 ↔ 150	RED 100%/GREEN UP/BLUE UP
	151 ↔ 170	RED DOWN/GREEN DOWN/BLUE 100%
	171 ↔ 200	RED 100%/GREEN 100%/BLUE 100%/WHITE 100%
	201 ↔ 205	WHITE 1: 3200K
	206 ↔ 210	WHITE 2: 3400K
	211 ↔ 215	WHITE 3: 4200K
	216 ↔ 220	WHITE 4: 4900K
	221 ↔ 225	WHITE 5: 5600K
	226 ↔ 230	WHITE 6: 5900K
	231 ↔ 235	WHITE 7: 6500K
236 ↔ 240	WHITE 8: 7200K	
241 ↔ 245	WHITE 9: 8000K	
246 ↔ 250	WHITE 10: 8500K	
251 ↔ 255	WHITE 11: 10000K	
6	0 ↔ 9	STROBE NO FUNCTION
	10 ↔ 255	FROM SLOW TO FAST

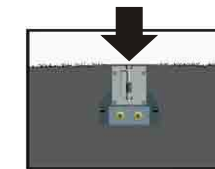
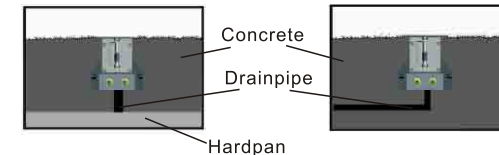
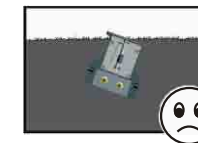
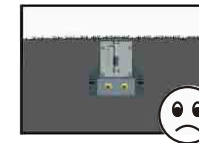
2 INSTALLATION

2.1 MOUNTING

- Embed the outer casing first before installing the fixture.

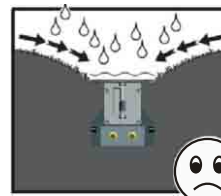
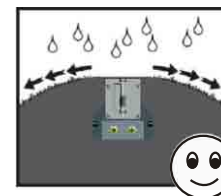


NOTE: The stainless steel cover should not exceed the ground..



1000kg

The fittings have been designed and tested to withstand a static load of 1000kg (based on the outer casing) for installation exclusively in pedestrian or bicycle areas.



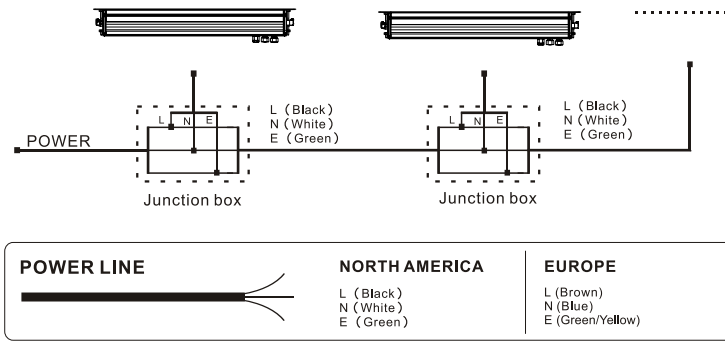
Water resistance and drainage:

The inground fixture has an ingress protection rating of Ip67. This means that fixture can withstand immersion for 30 minutes and low-pressure water jets. However, it is not designed to withstand constant immersion. Immersion will encourage condensation inside the fixture: a valve in the base of the fixture equalizes pressure as the fixture heats up and cools down. The valve allows air into the fixture but prevents the entry of water. If this valve is under water while the fixture cools down, it will not be able to equalize the pressure in the fixture and humidity may be drawn past seals and into the fixture by suction. The following precautions apply:

- The base of the inground must not be submerged in water other than for very short periods. If in doubt about a particular site, consult a geotechnical engineer.
- It must be possible for water from rain, melting snow, flooding or other sources to drain out of the installation well or sleeve at least as fast as it can enter it.

2.2 POWER CONNECTIONS

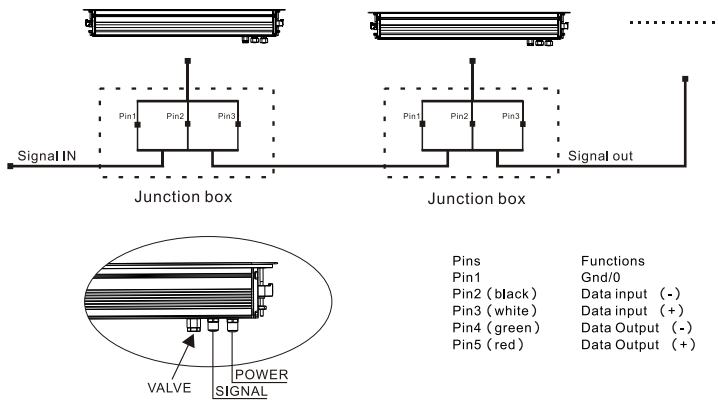
The input wires of this product must tri-core ,as following :



2.3 SIGNAL CONNECTIONS

Pins and Functions:

It is advised for greater stability that if over 20 units to be connected, or the total signal cable length is over 60 meters, a DMX signal amplifier should be used.



4 CONTROL WITH A DMX512 CONTROLLER

4.1 CHANNEL ASSIGNMENT

【RGB】

● Note: This product has five DMX512 channel configurations: **【ARC 1】** , **【ARC 1+D】** , **【ARC FULL】** , **【SOLID】** , **【SPECIAL1】** .

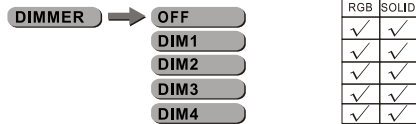
ARC 1

CHANNEL	VALUE	FUNCTION
1	0 ↔ 255	RED
2	0 ↔ 255	GREEN
3	0 ↔ 255	BLUE

ARC 1+D

CHANNEL	VALUE	FUNCTION
1	0 ↔ 255	MASTER DIMMER
2	0 ↔ 255	RED
3	0 ↔ 255	GREEN
4	0 ↔ 255	BLUE

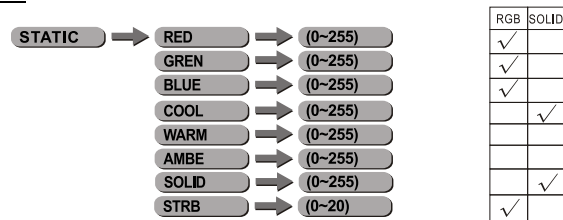
3.8 DIMMER



【DIMMER】

- Enter the **【DIMMER】** to select the dimmer work mode, press **【Enter】**
- When Dimmer is set to **【OFF】**, the Dimmer is linear.
- When selecting **【DIM1】**, **【DIM2】**, **【DIM3】**, or **【DIM4】**, the Dimmer is nonlinear.
- These 4 dimming modes have different nonlinear dimming effects. Each of them has a soft and smooth dimming effect

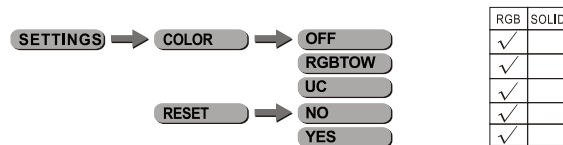
3.9 STATIC



【STATIC】

- Enter the **【STATIC】** mode to create the programs
- Combine **【RED】**, **【Green】**, **【Blue】**, **【Cool】**, **【Warm】**, **【Solid】** or **【Ambe】** to create an infinite range of colors
- Set the value of the **【STROBE】** **【0-20Hz】**
- Please select corresponding colors according to the requested fixture.
- The static setting will be valid when the fixture is powered again

3.10 SETTINGS



【COLOR】

- When **【RGB TO W】** is set to **【YES】**, the color is perfect white as the actual RGB values are adjusted to make white. When it is set to **【OFF】**, the RGB values are not adjusted and the output is most powerful. The **【RGB TO W】**'s parameter can be adjusted in **【CALIB】**.
- **【UC】** Function can compatible with the older version **【RGB】** to make color consistency.

【RESET】

- Enter the **【RESET】**, pass **【YES】** to reset all setting to the original factory setting

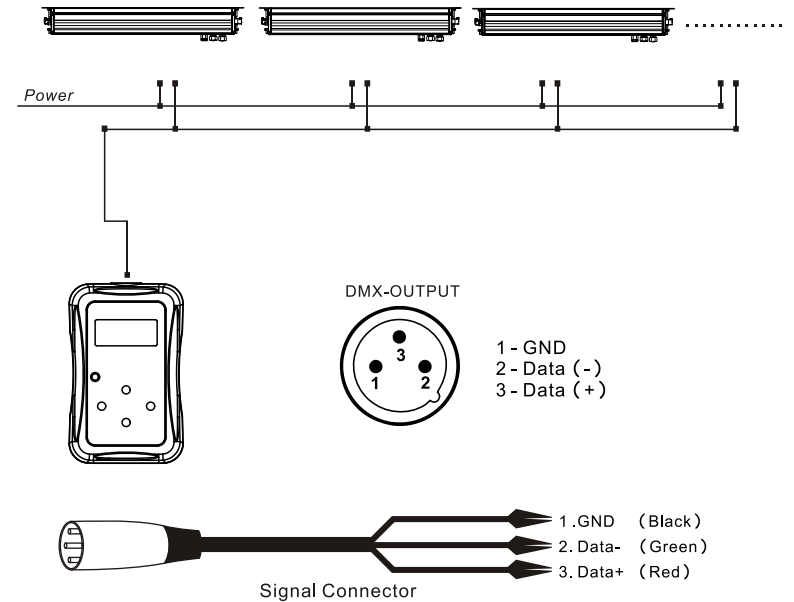
3 USING THE DMX CODER

3.1 TECHNICAL SPECIFICATIONS

LED MODULE:	
Battery	2 x 1.5V DC
Dimensions	110 x 70 x 28mm
Weight	0.2Kg

3.2 SETTING PARAMETERS

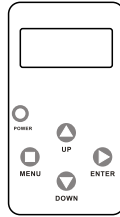
- Connect the DMX Coder to the units in series
- Set corresponding DMX address, Personality, Calibration and Dimmer of fixtures through the DMX Coder
- A maximum of 20 units in series can be set by the DMX Coder at the same time
- All connected units will be set with the same information



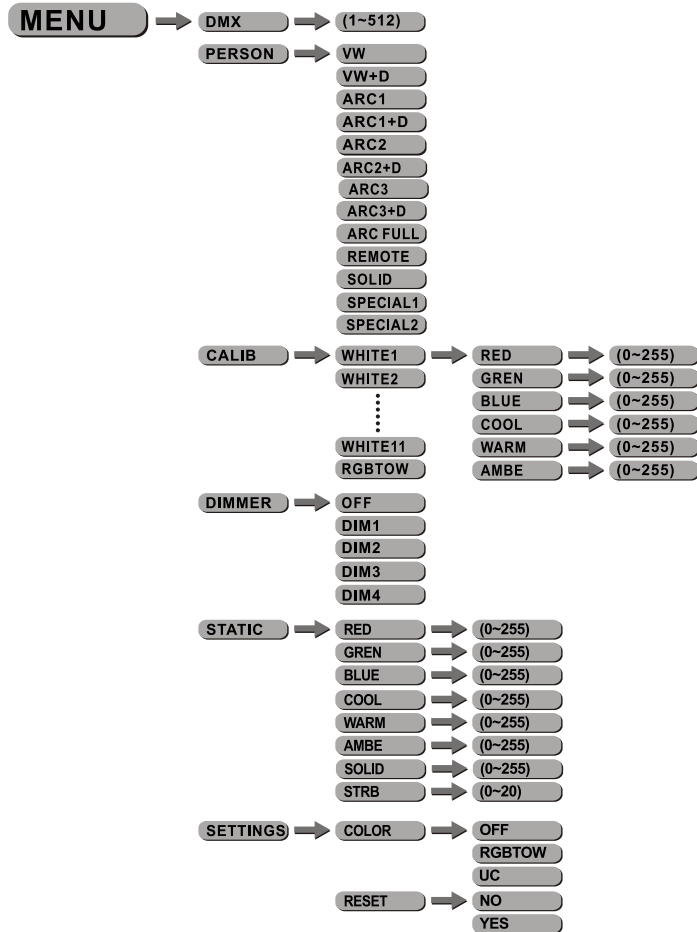
Note: The DMX Coder will automatically power off after extended periods of being idle (1 minute)

3.3 BASIC

- 【 POWER 】** Power on
- 【 MENU 】** Scroll through the main menu or exit from the current sub-menu (press and hold to turn off power)
- 【 ENTER 】** Enter the currently selected menu or confirm the current function value
- 【 DOWN 】** Scroll 'DOWN' through the menu list or decrease the value of the current function
- 【 UP 】** Scroll 'UP' through the menu list or increase the value of the current function



3.4 MENU



3.5 DMX ADDRESS

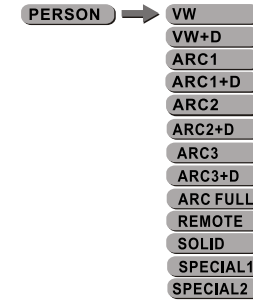


RGB	SOLID
✓	✓

【 DMX 】

- Enter the **【 DMX 】** mode to set the DMX address, press **【 Enter 】**
- On successful setting, the fixtures will display Green and turn off after ten seconds
- If an error occurs when setting, the fixtures will display Red or no response

3.6 PERSONALITY

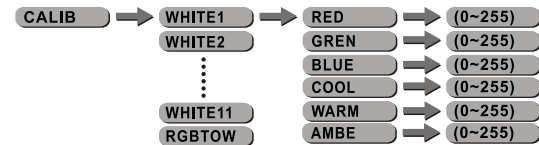


RGB	SOLID
✓	
✓	
✓	
✓	
✓	✓
✓	

【 PERSON 】

- Enter **【 PERSON 】** and select **【 VW 】** / **【 VW+D 】** / **【 ARC 1 】** / **【 ARC1+D 】** ... **【 SPECIAL1 】** / **【 SPECIAL2 】** mode, press **【 Enter 】**
- When selecting **【 REMOTE 】**, the fixture is ready to receive signals from the PiX Controller
- When selecting the others and the fixture is under the DMX work mode.
- Please select corresponding working mode according to the requested fixture.

3.7 CALIBRATION



RGB	SOLID
✓	
✓	
✓	

【 CALIB 】

- Enter the **【 CALIB 】** to select white colors of different color temperature
- There are 11 pre-programmed white colors plus RGB and can be edited by using **【 Red 】**, **【 Gren 】**, **【 Blue 】**, **【 Cool 】**, **【 Warm 】** or **【 Ambe 】**, press **【 Sending 】** to set the values
- While working under **【 ARC FULL 】**, **【 WHITE1-9 】** means the different color temperature white 1 to white 9 of CH5
- Select **【 RGB TOW 】** to set the ratio of **【 Red 】**, **【 Gren 】**, **【 Blue 】**, **【 Cool 】**, **【 Warm 】** or **【 Ambe 】** on DMX channels, achieving different white colors
- Please select corresponding colors according to the requested fixture.