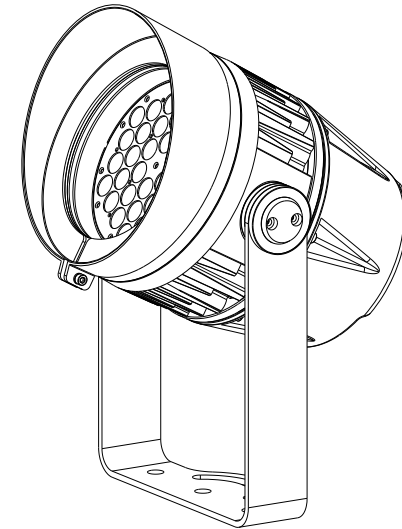


arctik[®]

PIXI i36



AM746

USER MANUAL

MODELS:
AM746T / AM746SWT / AM746SCT / AM746SAT

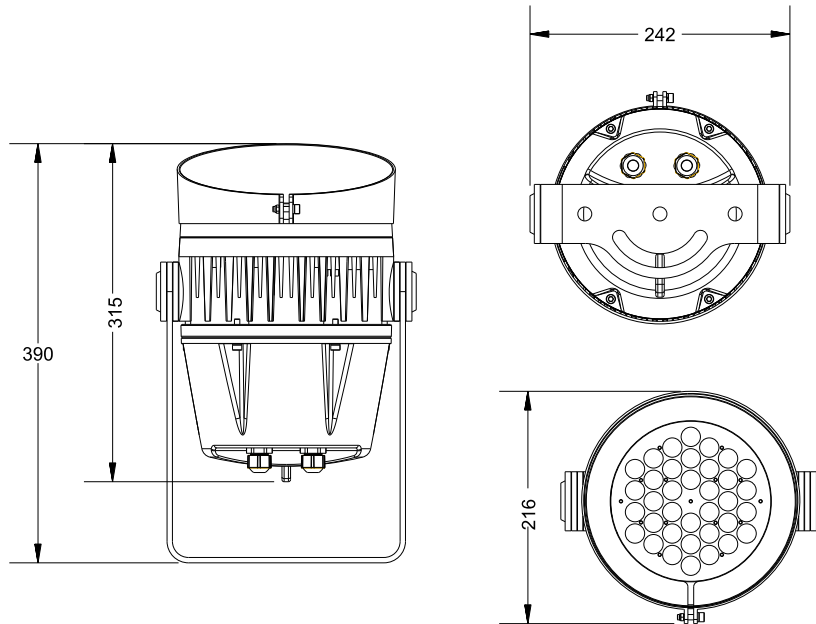
www.yajiang.cn

RD-AM746-SM-00(ARC-I)

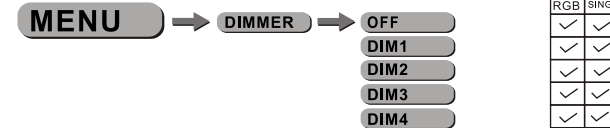
1 PRODUCT (GENERAL)

1.1 TECHNICAL SPECIFICATIONS

Type	Model	Voltage	Operation Temperature	Weight (kg)	Dimensions (mm)	Power MAX (W)	IP
I	RGB:36PCS	AC100~277V 50/60Hz	-20~45	8.1	390X242X216	122	IP66
II	A:36PCS					100	
III	CW:36PCS					100	
IV	WW:36PCS					100	



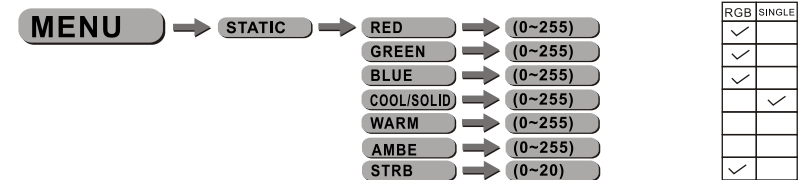
4.8 DIMMER



【DIMMER】

- Enter the **【DIMMER】** to select the dimmer work mode, press **【Enter】**
- When Dimmer is set to **【OFF】** the RGB and Master Dimmer are linear,
- When selecting **【DIM1】**, **【DIM2】**, **【DIM3】** or **【DIM4】**, the RGB and Master Dimmer are nonlinear
- These 4 dimming modes have different soft and smooth dimming effects from fast to slow

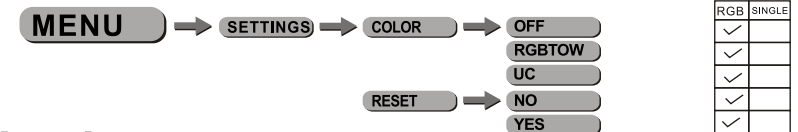
4.9 STATIC



【STATIC】

- Enter the **【STATIC】** mode to create the programs
- Combine **【RED】**, **【GREEN】**, **【BLUE】**, **【COOL】**, **【WARM】**, **【AMBE】**, **【SOLID】** and **【STRB】** to create an infinite range of colors
- Set the value of the **【STROBE】** **【0-20Hz】**
- The static setting will be valid when the fixture is powered again

4.10 SETTINGS



【COLOR】

- When **【RGB TO W】** is set to **【YES】**, the color is perfect white as the actual RGB values are adjusted to make white. When it is set to **【OFF】**, the RGB values are not adjusted and the output is most powerful. The **【RGB TO W】**'s parameter can be adjusted in **【CALIB】**.
- **【UC】** Function can compatible with the older version **【RGB】** to make color consistency.

【RESET】

- Enter the **【RESET】**, pass **【YES】** to reset all setting to the original factory setting

4.5 DMX ADDRESS

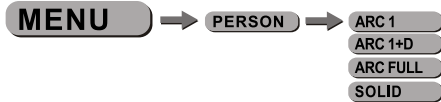


RGB	SINGLE
<input checked="" type="checkbox"/>	<input checked="" type="checkbox"/>

【DMX】

- Enter the **【DMX】** mode to set the DMX address, press **【Enter】**
- On successful setting, the fixtures will display Green and turn off after ten seconds
- If an error occurs when setting, the fixtures will display Red or no response

4.6 PERSONALITY

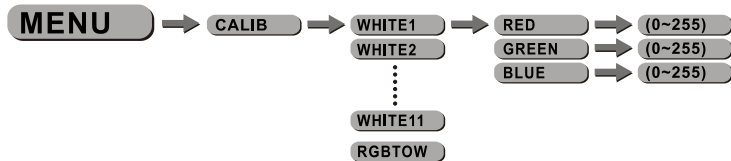


RGB	SINGLE
<input checked="" type="checkbox"/>	<input type="checkbox"/>
<input checked="" type="checkbox"/>	<input type="checkbox"/>
<input checked="" type="checkbox"/>	<input type="checkbox"/>
<input type="checkbox"/>	<input checked="" type="checkbox"/>

【PERSON】

- Enter **【PERSON】** and select **【ARC 1】 / 【ARC 1+D】 / 【ARC FULL】 / 【SOLID】** mode, press **【Enter】**
- When selecting **【ARC 1】 / 【ARC 1+D】 / 【ARC FULL】 / 【SOLID】**, the fixture is under the DMX work mode.

4.7 CALIBRATION



RGB	SINGLE
<input checked="" type="checkbox"/>	<input type="checkbox"/>
<input checked="" type="checkbox"/>	<input type="checkbox"/>
<input checked="" type="checkbox"/>	<input type="checkbox"/>

【CALIB】

- Enter the **【CALIB】** to select white colors of different color temperature
- There are 11 pre-programed white colors plus RGB and can be edited by using **【Red】**, **【Gren】**, or **【Blue】**, press **【Enter】** to set the values
- While working under **【ARC FULL】**, **【WHITE1-9】** means the different color temperature white 1 to white 9 of CH5
- Select **【RGB TOW】** to set the ratio of **【Red】**, **【Gren】**, and **【Blue】** on DMX channels, achieving different white colors

1.2 SAFETY WARNING

IMPORTANT

【ALWAYS READ THE USER MANUAL BEFORE OPERATION.】
【PLEASE CONFIRM THAT THE POWER SUPPLY STATED ON THE PRODUCT IS THE SAME AS THE MAINS POWER SUPPLY IN YOUR AREA.】

- This product must be installed by a qualified professional.
- Always operate the equipment as described in the user manual.
- A minimum distance of 0.5m must be maintained between the equipment and combustible surface.
- The product must always be placed in a well ventilated area.
- Always make sure that the equipment is installed securely.
- DO NOT stand close to the equipment and stare directly into the LED light source.
- Always disconnect the power supply before attempting maintenance.
- Always make sure that the supporting structure is solid and can support the combined weight of the products.
- The earth wire must always be connected to the ground.
- Do not touch the power cables if your hands are wet.

ATTENTION



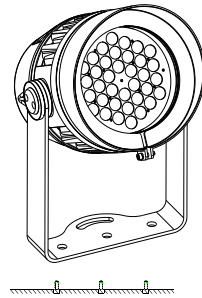
- This product left the place of manufacture in perfect condition. In order to maintain this condition and for safe operation, the user must always follow the instructions and safety warnings described in this user manual.
- Avoid shaking or strong impacts to any part of the equipment.
- Make sure that all parts of the equipment are kept clean and free of dust.
- Always make sure that the power connections are connected correct and secure.
- If there is any malfunction of the equipment, contact your distributor immediately.
- When transferring the product, it is advisable to use the original packaging in which the product left the factory.
- Shields, lenses or ultraviolet screens shall be changed if they have become damaged to such an extent that their effectiveness is impaired.
- The lamp (LED) shall be changed if it has become damaged or thermally deformed.

2 INSTALLATION

2.1 MOUNTING

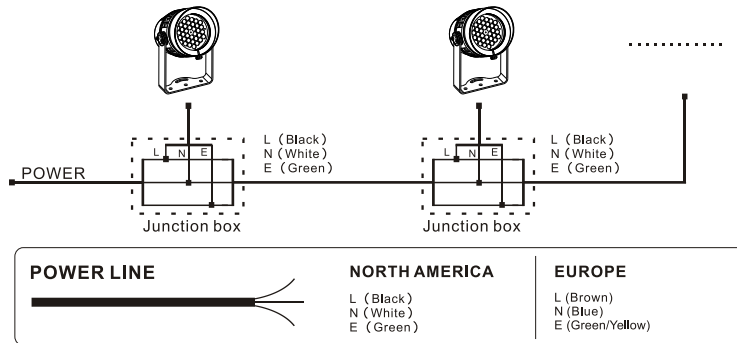
UPRIGHT

The LED Fixture can be mounted in a sitting or wall mounted position using the supporting brackets. The LED Fixture should be placed on a non-flammable flat surface in any orientation and fixed by screws. There are four holes into the supporting bracket.



2.2 POWER CONNECTIONS

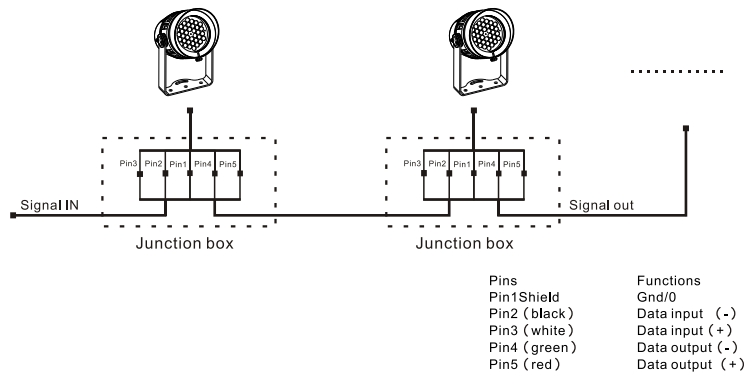
The power cable is 0.75mm² copper-core. See the connection diagram as follows :



2.3 SIGNAL CONNECTIONS

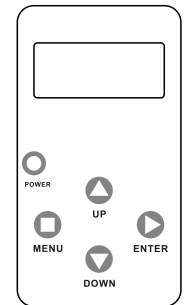
Pins and Functions:

It is advised for greater stability that if over 20 units to be connected, or the total signal cable length is over 60 meters, a DMX signal amplifier should be used.

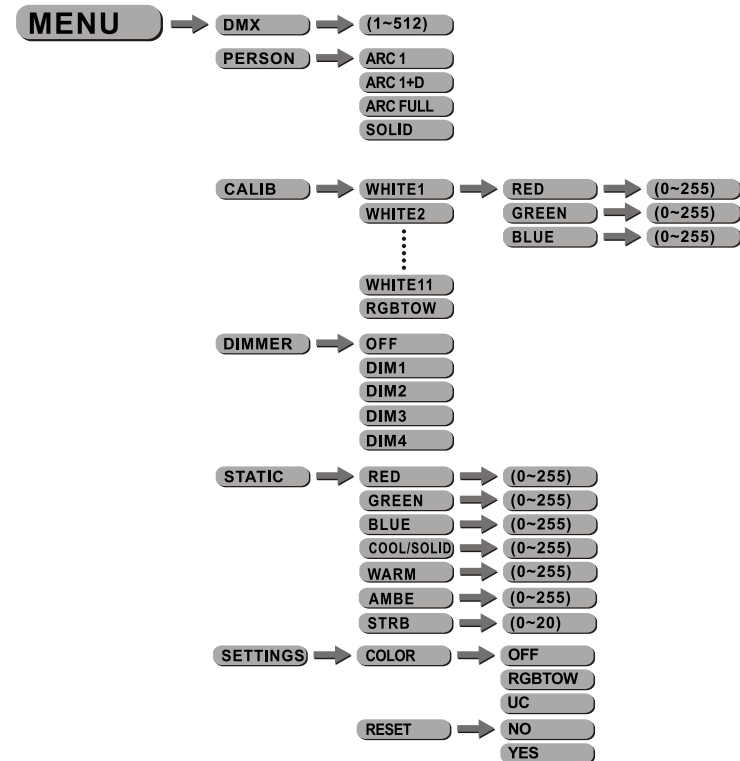


4.3 BASIC

- [POWER]** Power on
- [MENU]** Scroll through the main menu or exit from the current sub-menu (press and hold to turn off power)
- [ENTER]** Enter the currently selected menu or confirm the current function value
- [DOWN]** Scroll 'DOWN' through the menu list or decrease the value of the current function
- [UP]** Scroll 'UP' through the menu list or increase the value of the current function



4.4 MENU



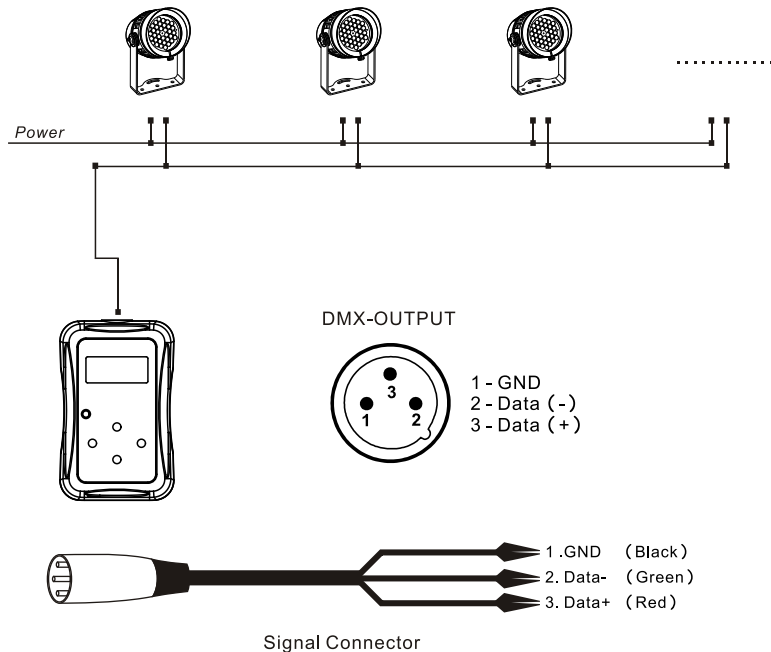
4 USING THE DMX CODER

4.1 TECHNICAL SPECIFICATIONS

LED MODULE:	
Battery	2 x 1.5V DC
Dimensions	110 x 70 x 28mm
Weight	0.2Kg

4.2 SETTING PARAMETERS

- Connect the DMX Coder to the units in series
- Set the DMX address, Personality, Calibration and Dimmer of fixtures through the DMX Coder
- A maximum of 20 units in series can be set by the DMX Coder at the same time
- All connected units will be set with the same information



Note: The DMX Coder will automatically power off after extended periods of being idle (1 minute)

3 CONTROL WITH A DMX512 CONTROLLER

3.1 CHANNEL ASSIGNMENT

- Note: This product has four DMX512 channel configurations: **[ARC 1]** , **[ARC 1+D]** , **[ARC FULL]** , **[SOLID]** .

ARC 1

CHANNEL	VALUE	FUNCTION
1	0 ↔ 255	RED
2	0 ↔ 255	GREEN
3	0 ↔ 255	BLUE

ARC 1+D

CHANNEL	VALUE	FUNCTION
1	0 ↔ 255	MASTER DIMMER
2	0 ↔ 255	RED
3	0 ↔ 255	GREEN
4	0 ↔ 255	BLUE

ARC FULL

CHANNEL	VALUE	FUNCTION
1	0 ↔ 255	MASTER DIMMER
2	0 ↔ 255	RED
3	0 ↔ 255	GREEN
4	0 ↔ 255	BLUE
5		COLOR MACRO
	0 ↔ 10	NO FUNCTION
	11 ↔ 30	RED 100%/GREEN UP/BLUE 0%
	31 ↔ 50	RED DOWN/GREEN 100%/BLUE 0%
	51 ↔ 70	RED 0%/GREEN 100%/BLUE UP
	71 ↔ 90	RED 0%/GREEN DOWN/BLUE 100%
	91 ↔ 110	RED UP/GREEN 0%/BLUE 100%
	111 ↔ 130	RED 100%/GREEN 0%/BLUE DOWN
	131 ↔ 150	RED 100%/GREEN UP/BLUE UP
	151 ↔ 170	RED DOWN/GREEN DOWN/BLUE 100%
	171 ↔ 200	RED 100%/GREEN 100%/BLUE 100%/WHITE (AMBER) 100%
	201 ↔ 205	WHITE 1: 3200K
	206 ↔ 210	WHITE 2: 3400K
	211 ↔ 215	WHITE 3: 4200K
	216 ↔ 220	WHITE 4: 4900K
	221 ↔ 225	WHITE 5: 5600K
	226 ↔ 230	WHITE 6: 5900K
231 ↔ 235	WHITE 7: 6500K	
236 ↔ 240	WHITE 8: 7200K	
241 ↔ 245	WHITE 9: 8000K	
246 ↔ 250	WHITE 10: 8500K	
251 ↔ 255	WHITE 11: 10000K	

CHANNEL	VALUE	FUNCTION
6	0 ↔ 9	STROBE NO FUNCTION
	10 ↔ 255	FROM SLOW TO FAST
7		DIMMING SPEED
	0 ↔ 9	OFF
	10 ↔ 69	SPEED1 (FASTEST)
	70 ↔ 129	SPEED2
	130 ↔ 189	SPEED3
190 ↔ 255	SPEED4 (SLOWEST)	

SOLID

CHANNEL	VALUE	FUNCTION
1	0 ↔ 255	RGB & MASTER DIMMER