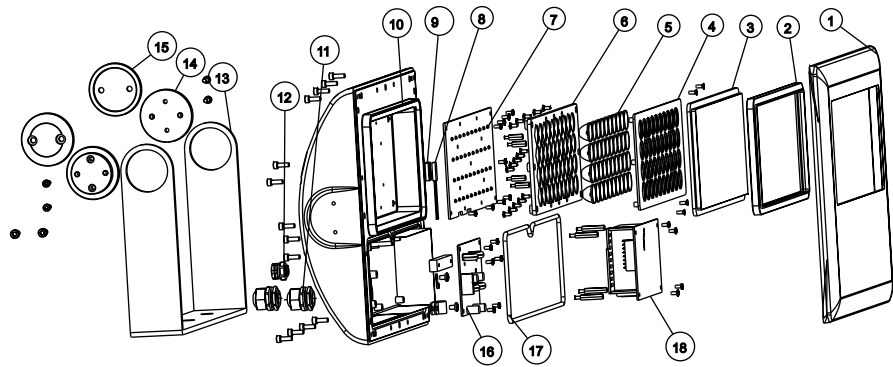


## 5 APPENDIX

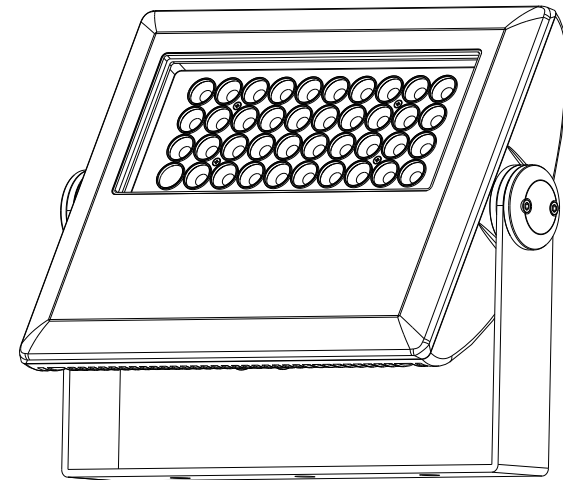
### 5.1 MAINTENANCE



No	ITEM	ITEM
1	Head casing	10 Housing
2	Head casing gasket	11 Waterproof button
3	Tempered glass	12 Pressure valve
4	LED board support	13 Bracket
5	lens 15 degree	14 Bracket support
6	Display support	15 Hanger linking piece
7	LED board	16 Driver board
8	Thermal switch	17 Head casing gasket
9	Thermal switch holder	18 Power supply

arctik®

# LINXi40



## USER MANUAL

# T TABLE OF CONTENTS

<b>PART 1 PRODUCT (GENERAL).....</b>	<b>1.</b>
1.1--TECHNICAL SPECIFICATIONS.....	1.
1.2--SAFETY WARNING.....	2.
<b>PART 2 INSTALLATION.....</b>	<b>2.</b>
2.1--MOUNTING.....	2.
2.2--POWER CONNECTIONS.....	3.
2.3--SIGNAL CONNECTIONS.....	3.
<b>PART 3 USING THE DMX CODER.....</b>	<b>3.</b>
3.1--TECHNICAL SPECIFICATIONS.....	4.
3.2--SETTING PARAMETERS.....	4.
3.3--BASIC.....	4.
3.4--MENU.....	5.
3.5--DMX ADDRESS.....	5.
3.6--PERSONALITY.....	5.
3.7--CALIBRATION.....	6.
3.8--DIMMER.....	6.
3.9--STATIC.....	6.
3.10--SETTINGS.....	7.
<b>PART 3 CONTROL WITH A DMX512 CONTROLLER.....</b>	<b>7.</b>
3.1--CHANNEL ASSIGNMENT.....	7.
3.2--BASIC INSTRUCTIONS FOR DMX512 OPERATION.....	9.
<b>PART 5 APPENDIX.....</b>	<b>10.</b>
5.1--MAINTENANCE.....	10.

CHANNEL	VALUE	FUNCTION
6	0 ↔ 9	<b>STROBE</b> NO FUNCTION
	10 ↔ 255	FROM SLOW TO FAST
	<b>DIMMING SPEED</b>	
7	0 ↔ 9	OFF
	10 ↔ 69	SPEED1 ( FASTEST)
	70 ↔ 129	SPEED2
	130 ↔ 189	SPEED3
	190 ↔ 255	SPEED4 ( SLOWEST)

**SOLID**

CHANNEL	VALUE	FUNCTION
1	0 ↔ 255	<b>RGB &amp; MASTER DIMMER</b>

## 3.2 BASIC INSTRUCTIONS FOR DMX512 OPERATION (ARC FULL)

### MASTER DIMMER

- CH1 controls the intensity of the currently projected color
- When the slider is at the highest position (255) the intensity of the output is the maximum

### RED, GREEN & BLUE COLOR SELECTION

- CH2, CH3 & CH4 control the intensity ratio of each of the RED, GREEN, BLUE LEDs
- When the slider is at the highest position (255) the intensity of the color is the maximum
- CH2, CH3, CH4 can be combined together to create over 16 million colors

### COLOR MACROS

- CH5 selects the required COLOR MACRO
- CH5 has priority over CH2, CH3, CH 4
- CH1 is used to control the intensity of the COLOR MACRO

### STROBE

- CH 6 controls the strobe of CH1 to CH 5

### DIMMER SPEED

- CH 7 is used to select the kind of dimmers curve required

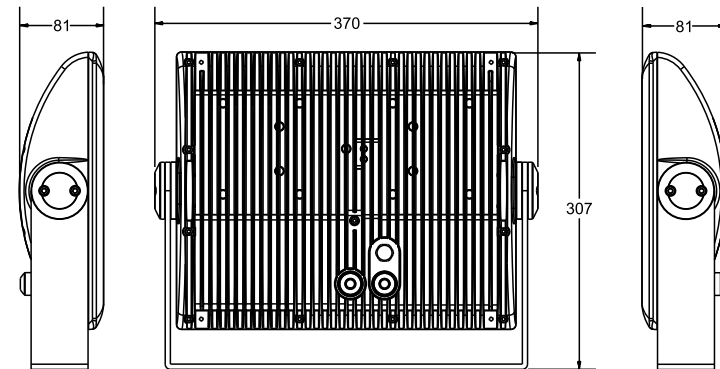
**ARC FULL**

CHANNEL	VALUE	FUNCTION
1	0 ↔ 255	MASTER DIMMER
2	0 ↔ 255	RED
3	0 ↔ 255	GREEN
4	0 ↔ 255	BLUE
5		<b>COLOR MACRO</b>
	0 ↔ 10	NO FUNCTION
	11 ↔ 30	RED 100%/GREEN UP/BLUE 0%
	31 ↔ 50	RED DOWN/GREEN 100%/BLUE 0%
	51 ↔ 70	RED 0%/GREEN100%/BLUE UP
	71 ↔ 90	RED 0%/GREENDOWN/BLUE 100%
	91 ↔ 110	RED UP/GREEN 0%/BLUE 100%
	111 ↔ 130	RED 100%/GREEN 0%/BLUE DOWN
	131 ↔ 150	RED 100%/GREEN UP/BLUE UP
	151 ↔ 170	RED DOWN/GREEN DOWN/BLUE 100%
	171 ↔ 200	RED100%/GREEN100%/BLUE100%/WHITE(AMBER)100%
	201 ↔ 205	WHITE 1: 3200K
	206 ↔ 210	WHITE 2: 3400K
	211 ↔ 215	WHITE 3: 4200K
	216 ↔ 220	WHITE 4: 4900K
	221 ↔ 225	WHITE 5: 5600K
	226 ↔ 230	WHITE 6: 5900K
	231 ↔ 235	WHITE 7: 6500K
	236 ↔ 240	WHITE 8: 7200K
	241 ↔ 245	WHITE 9: 8000K
246 ↔ 250	WHITE 10: 8500K	
251 ↔ 255	WHITE 11: 10000K	

# 1 PRODUCT (GENERAL)

## 1.1 TECHNICAL SPECIFICATIONS

Type	Model	Voltage	Operation Temperature	Weight	Dimensions (mm)	Power MAX (W)	IP
I	R: 3Wx14 G: 3Wx14 B: 3Wx12	AC100~240V 50/60Hz	-20~45	8.5	370X307X81	115	IP66
II	CW:3WX40					115	
III	WW:3WX40					115	
IV	A:3WX40					115	



## 1.2 SAFETY WARNING

### IMPORTANT

**[ALWAYS READ THE USER MANUAL BEFORE OPERATION.]**  
**[PLEASE CONFIRM THAT THE POWER SUPPLY STATED ON THE PRODUCT IS THE SAME AS THE MAINS POWER SUPPLY IN YOUR AREA.]**

- This product must be installed by a qualified professional.
- Always operate the equipment as described in the user manual.
- A minimum distance of 0.5m must be maintained between the equipment and combustible surface.
- The product must always be placed in a well ventilated area.
- Always make sure that the equipment is installed securely.
- DO NOT stand close to the equipment and stare directly into the LED light source.
- Always disconnect the power supply before attempting maintenance.
- Always make sure that the supporting structure is solid and can support the combined weight of the products.
- The earth wire must always be connected to the ground.
- Do not touch the power cables if your hands are wet.

### ATTENTION



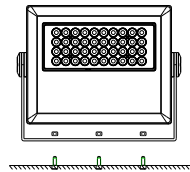
- This product left the place of manufacture in perfect condition. In order to maintain this condition and for safe operation, the user must always follow the instructions and safety warnings described in this user manual.
- Avoid shaking or strong impacts to any part of the equipment.
- Make sure that all parts of the equipment are kept clean and free of dust.
- Always make sure that the power connections are connected correct and secure.
- If there is any malfunction of the equipment, contact your distributor immediately.
- When transferring the product, it is advisable to use the original packaging in which the product left the factory.
- Shields, lenses or ultraviolet screens shall be changed if they have become damaged to such an extent that their effectiveness is impaired.
- The lamp (LED) shall be changed if it has become damaged or thermally deformed.

## 2 INSTALLATION

### 2.1 MOUNTING

#### UPRIGHT

The LED Fixture can be mounted in a sitting or wall mounted position using the supporting brackets. The LED Fixture should be placed on a non-flammable flat surface in any orientation and fixed by screws. There are four holes into the supporting bracket.



## 4.10 SETTINGS



RGB	SINGLE
✓	
✓	
✓	
✓	
✓	

#### [COLOR]

- When **[RGB TO W]** is set to **[YES]**, the color is perfect white as the actual RGB values are adjusted to make white. When it is set to **[OFF]**, the RGB values are not adjusted and the output is most powerful. The **[RGB TO W]**'s parameter can be adjusted in **[CALIB]**.
- **[UC]** Function can compatible with the older version **[RGB]** to make color consistency.

#### [RESET]

- Enter the **[RESET]**, pass **[YES]** to reset all setting to the original factory setting

## 3 CONTROL WITH A DMX512 CONTROLLER

### 3.1 CHANNEL ASSIGNMENT

- Note: This product has four DMX512 channel configurations: **[ARC 1]**, **[ARC 1+D]**, **[ARC FULL]**, **[SOLID]**.

#### ARC 1

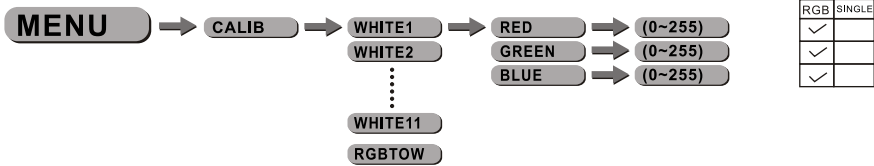
CHANNEL	VALUE	FUNCTION
1	0 ↔ 255	RED
2	0 ↔ 255	GREEN
3	0 ↔ 255	BLUE

#### ARC 1+D

CHANNEL	VALUE	FUNCTION
1	0 ↔ 255	MASTER DIMMER
2	0 ↔ 255	RED
3	0 ↔ 255	GREEN
4	0 ↔ 255	BLUE



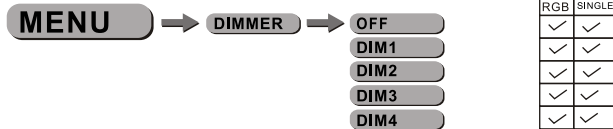
## 4.7 CALIBRATION



### 【CALIB】

- Enter the **【CALIB】** to select white colors of different color temperature
- There are 11 pre-programed white colors plus RGB and can be edited by using **【Red】**, **【Gren】**, or **【Blue】**, press **【Enter】** to set the values
- While working under **【ARC FULL】**, **【WHITE1-9】** means the different color temperature white 1 to white 9 of CH5
- Select **【RGB TOW】** to set the ratio of **【Red】**, **【Gren】**, and **【Blue】** on DMX channels, achieving different white colors

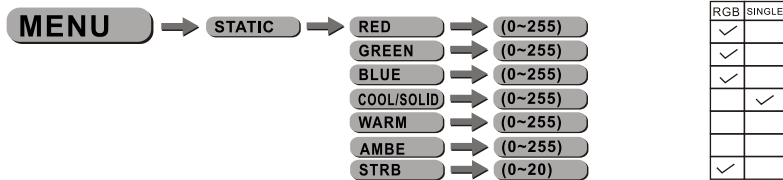
## 4.8 DIMMER



### 【DIMMER】

- Enter the **【DIMMER】** to select the dimmer work mode, press **【Enter】**
- When Dimmer is set to **【OFF】** the RGB and Master Dimmer are linear,
- When selecting **【DIM1】**, **【DIM2】**, **【DIM3】** or **【DIM4】**, the RGB and Master Dimmer are nonlinear
- These 4 dimming modes have different soft and smooth dimming effects from fast to slow

## 4.9 STATIC

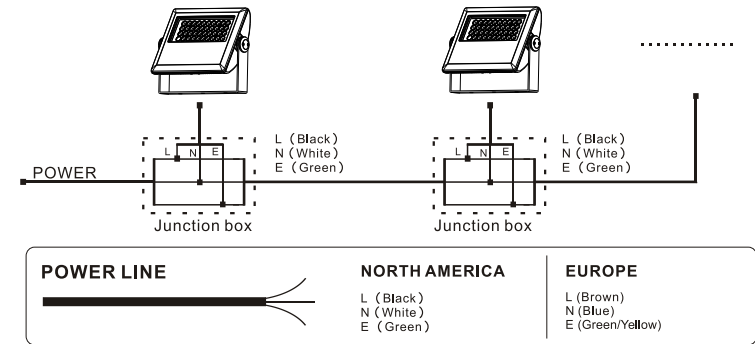


### 【STATIC】

- Enter the **【STATIC】** mode to create the programs
- Combine **【RED】**, **【GREEN】**, **【BLUE】**, **【COOL】**, **【WARM】**, **【AMBE】**, **【SOLID】** and **【STRB】** to create an infinite range of colors
- Set the value of the **【STROBE】** **【0-20Hz】**
- The static setting will be valid when the fixture is powered again

## 2.2 POWER CONNECTIONS

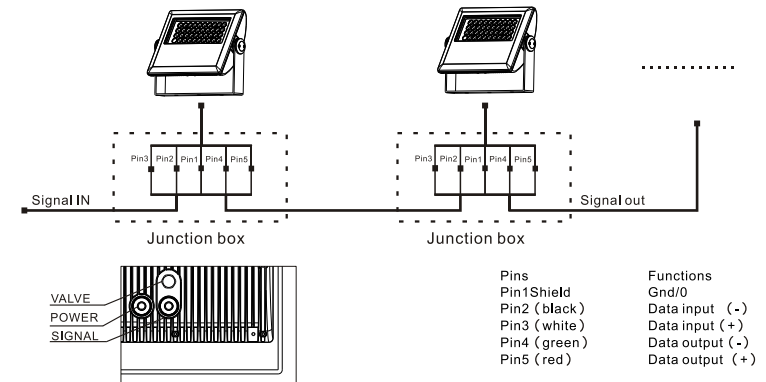
The power cable is 0.75mm<sup>2</sup> copper-core. See the connection diagram as follows :



## 2.3 SIGNAL CONNECTIONS

### Pins and Functions:

It is advised for greater stability that if over 20 units to be connected, or the total signal cable length is over 60 meters, a DMX signal amplifier should be used.



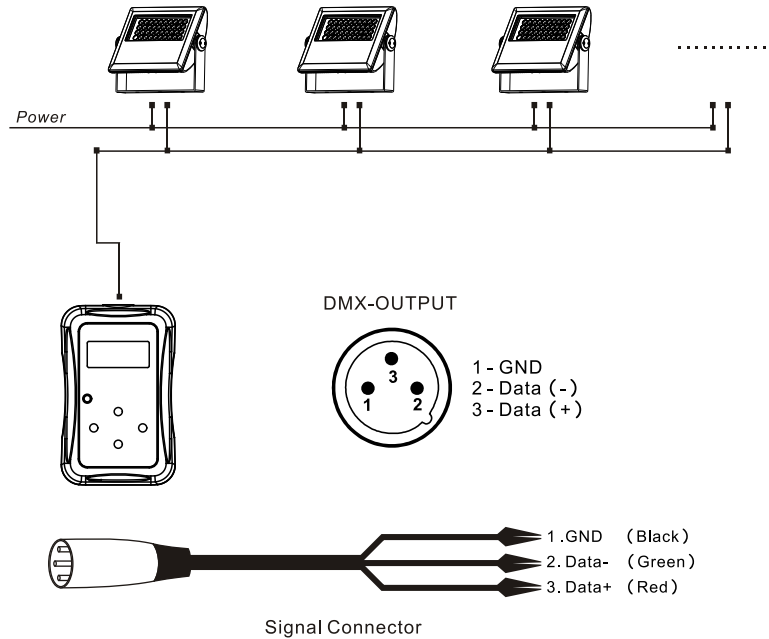
## 3 USING THE DMX CODER

### 3.1 TECHNICAL SPECIFICATIONS

LED MODULE:	
Battery	2 x 1.5V DC
Dimensions	110 x 70 x 28mm
Weight	0.2Kg

### 3.2 SETTING PARAMETERS

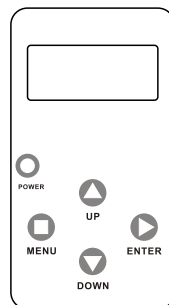
- Connect the DMX Coder to the units in series
- Set the DMX address, Personality, Calibration and Dimmer of fixtures through the DMX Coder
- A maximum of 20 units in series can be set by the DMX Coder at the same time
- All connected units will be set with the same information



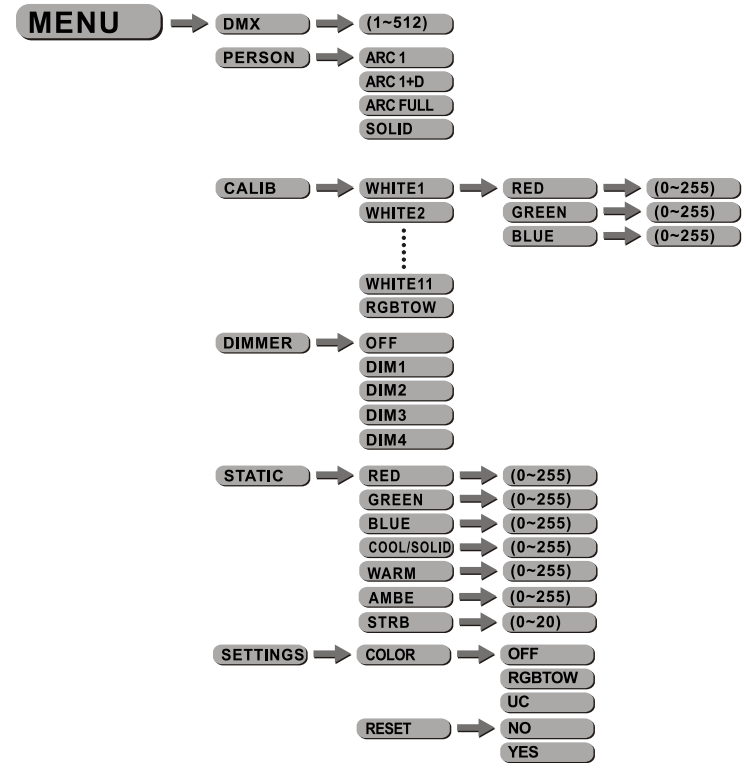
**Note:** The DMX Coder will automatically power off after extended periods of being idle (1 minute)

### 3.3 BASIC

- [ POWER ]** Power on
- [ MENU ]** Scroll through the main menu or exit from the current sub-menu (press and hold to turn off power)
- [ ENTER ]** Enter the currently selected menu or confirm the current function value
- [ DOWN ]** Scroll 'DOWN' through the menu list or decrease the value of the current function
- [ UP ]** Scroll 'UP' through the menu list or increase the value of the current function



### 3.4 MENU



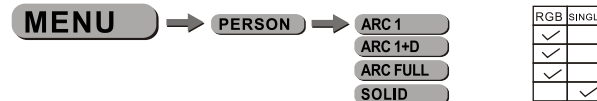
### 3.5 DMX ADDRESS



#### [ DMX ]

- Enter the **[ DMX ]** mode to set the DMX address, press **[ Enter ]**
- On successful setting, the fixtures will display Green and turn off after ten seconds
- If an error occurs when setting, the fixtures will display Red or no response

### 3.6 PERSONALITY



#### [ PERSON ]

- Enter **[ PERSON ]** and select **[ ARC 1 ]** / **[ ARC 1+D ]** / **[ ARC FULL ]** / **[ SOLID ]** mode, press **[ Enter ]**
- When selecting **[ ARC 1 ]** / **[ ARC 1+D ]** / **[ ARC FULL ]** / **[ SOLID ]**, the fixture is under the DMX work mode.