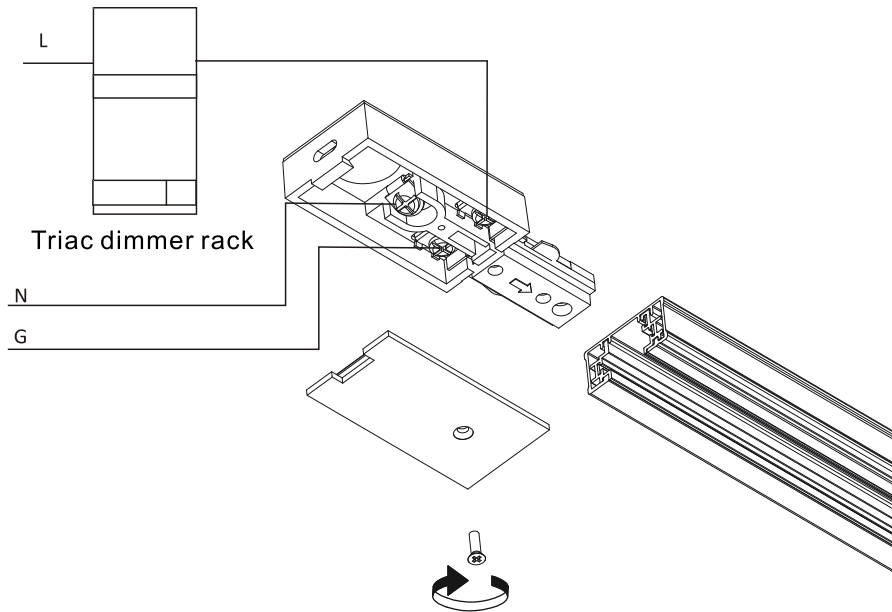


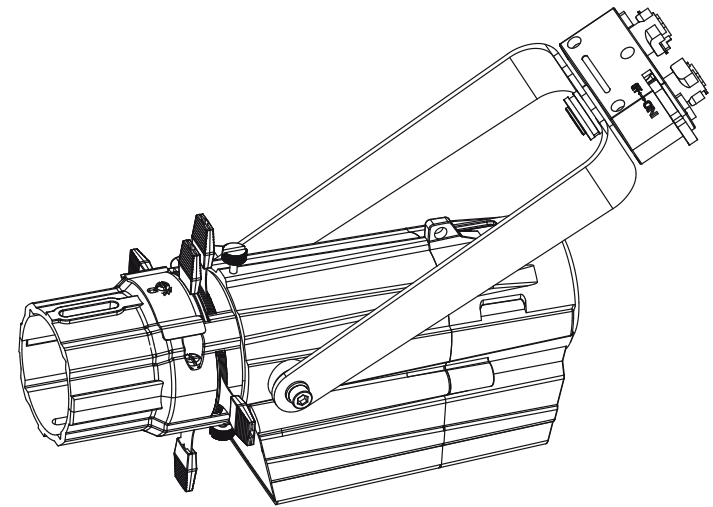
### 3 Operational approach

According to the chart connection access dimmers



arctik®

## Installation Instructions



## PROFILE Mini Track Mount

**MODELS:** A150T

[www.yajiang.cn](http://www.yajiang.cn)

RD-A150T-SM-00(ARC-I)

# 1 PRODUCT SPECIFICATIONS

## 1.1 PRODUCT SPECIFICATIONS

- ◆ Voltage: AC100~120V, 50/60Hz & AC220~240V, 50/60Hz
- ◆ Max Power: 13W
- ◆ Size: 305x113x109mm
- ◆ Weight: 1.6kg

## 1.2 SAFETY WARNING

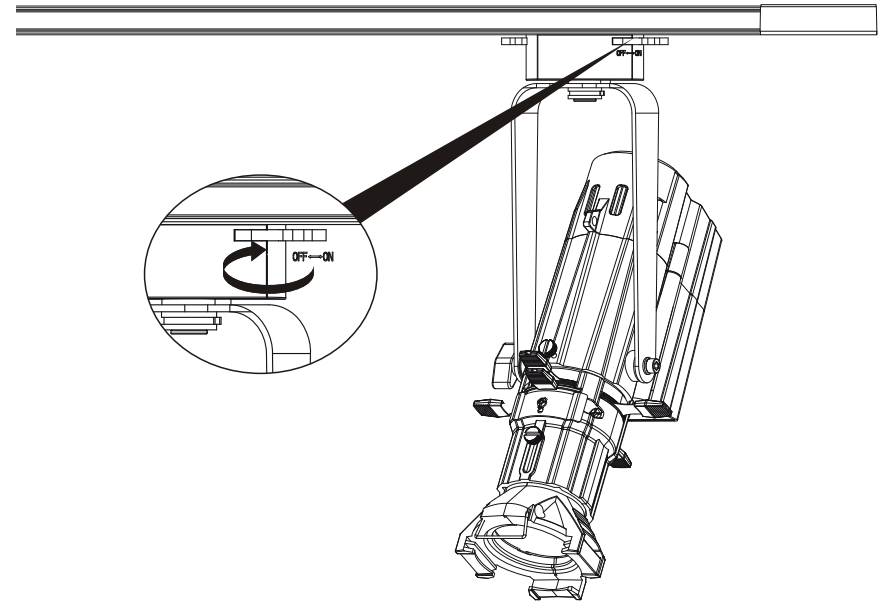
### IMPORTANT:

- This product must be installed by a qualified professional.
- All maintenance must be carried out by a qualified electrician.
- A minimum distance of 0.5m must be maintained between the equipment and a combustible surface.
- The product must always be operated in a well ventilated area.
- DO NOT stare directly into the LED light source.
- Always disconnect the power before carrying out any maintenance.
- The earth must always be connected to the ground.
- Ensure that all parts of the equipment are kept clean and free of dust.
- A minimum distance of 0.8m must be maintained between the light and projecting surface

# 2 INSTALLATION

## Mounting Light Fixture

- Pay attention to orientation when mounting light fixture to track



Insert light fixture into track as shown in image below